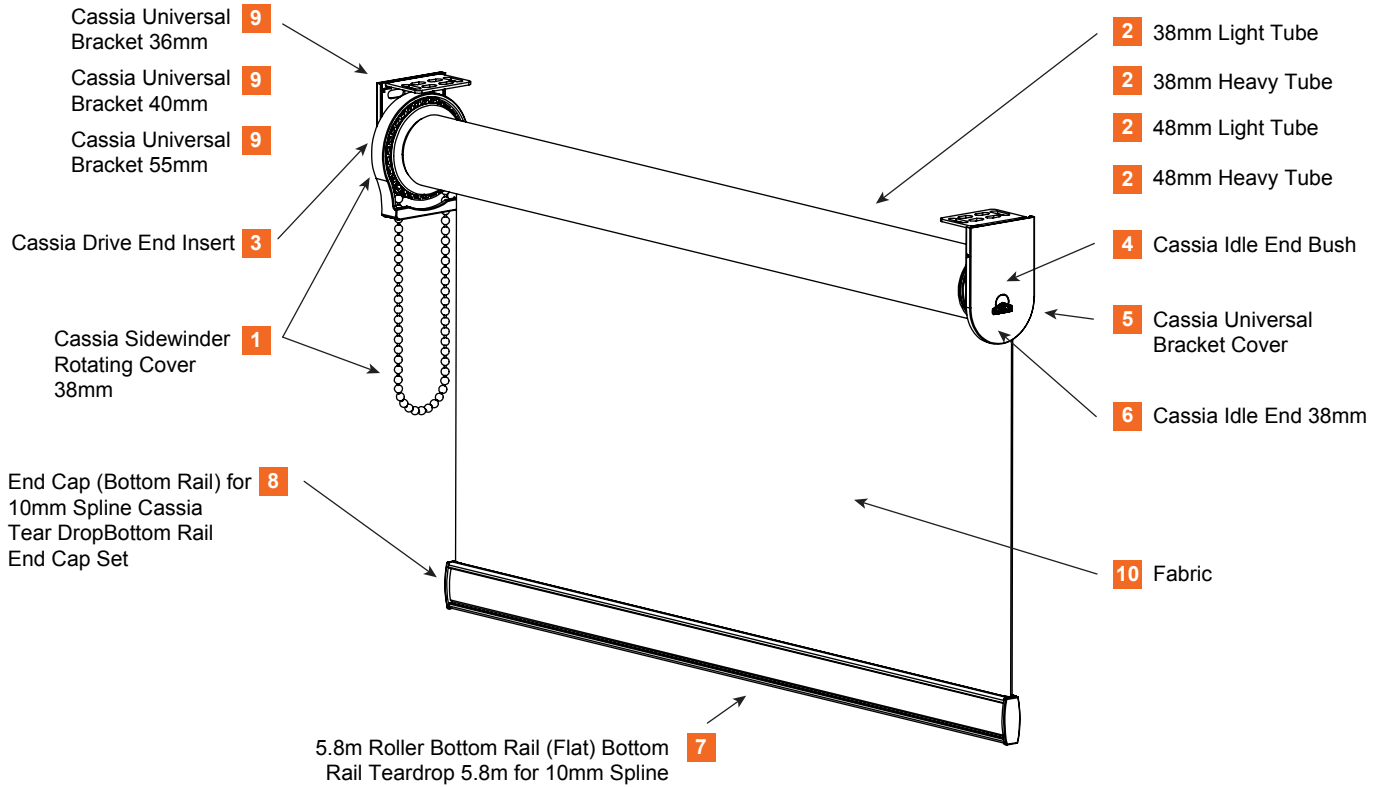


BILL OF MATERIALS FOR CASSIA STANDARD SYSTEM BLIND.



BOM NUMBER	PART NAMES	BOM NUMBER	PART NAMES
1	Cassia Sidewinder Rotating Cover 38mm	6	Cassia Idle End 38mm
2	38mm light tube 38mm Heavy Tube 48mm light tube 48mm Heavy Tube	7	5.8m Roller Bottom Rail (Flat) Bottom Rail Teardrop 5.8m for 10mm Spline
3	Cassia Drive End Insert	8	End Cap (Bottom Rail) for 10mm Spline Cassia Tear Drop Bottom Rail End Cap Set
4	Cassia Idle End Bush	9	Cassia Universal Bracket 36mm Cassia Universal Bracket 40mm Cassia Universal Bracket 55mm
5	Cassia Universal Bracket Cover	10	Fabric

IT'S YOUR CHOICE.

The preferred window covering system supplier to the industry.

Australia +61 7 3804 9000 | info@uniline.com.au | uniline.com.au

New Zealand +64 9 273 5026 | salesnz@uniline.com.au | uniline.co.nz

