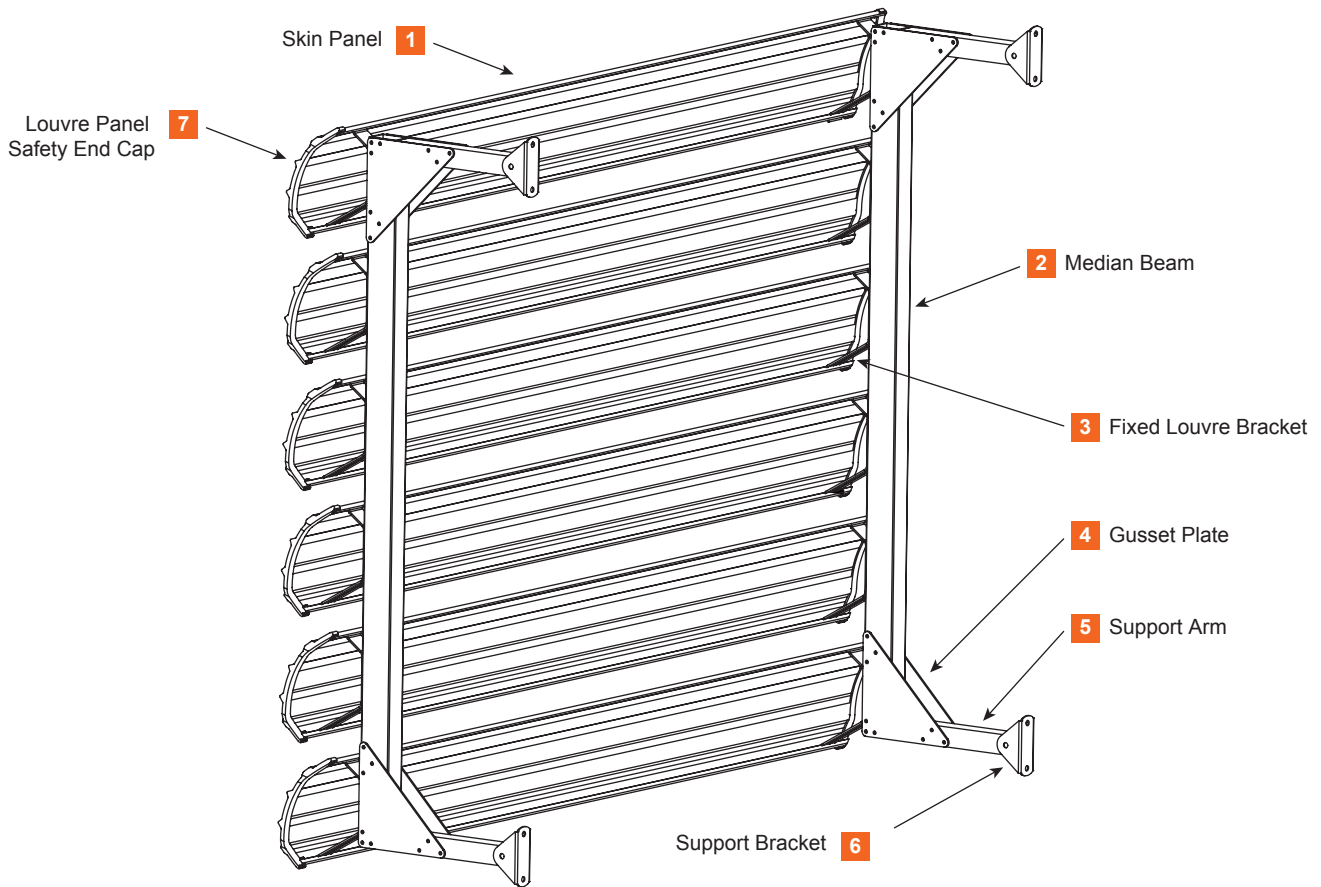


BILL OF MATERIALS FOR TRU-STEEL LOUVRE AWNING.



BOM NUMBER	PART NAMES	BOM NUMBER	PART NAMES
1	Skin Panel	4	Gusset Plate
2	Median Beam	5	Support Arm
3	Fixed Louvre Bracket	6	Support Bracket
		7	Louvre Panel Safety End Cap

IT'S YOUR CHOICE.

The preferred window covering system supplier to the industry.

Australia +61 7 3804 9000 | info@uniline.com.au | uniline.com.au

New Zealand +64 9 273 5026 | salesnz@uniline.com.au | uniline.co.nz

