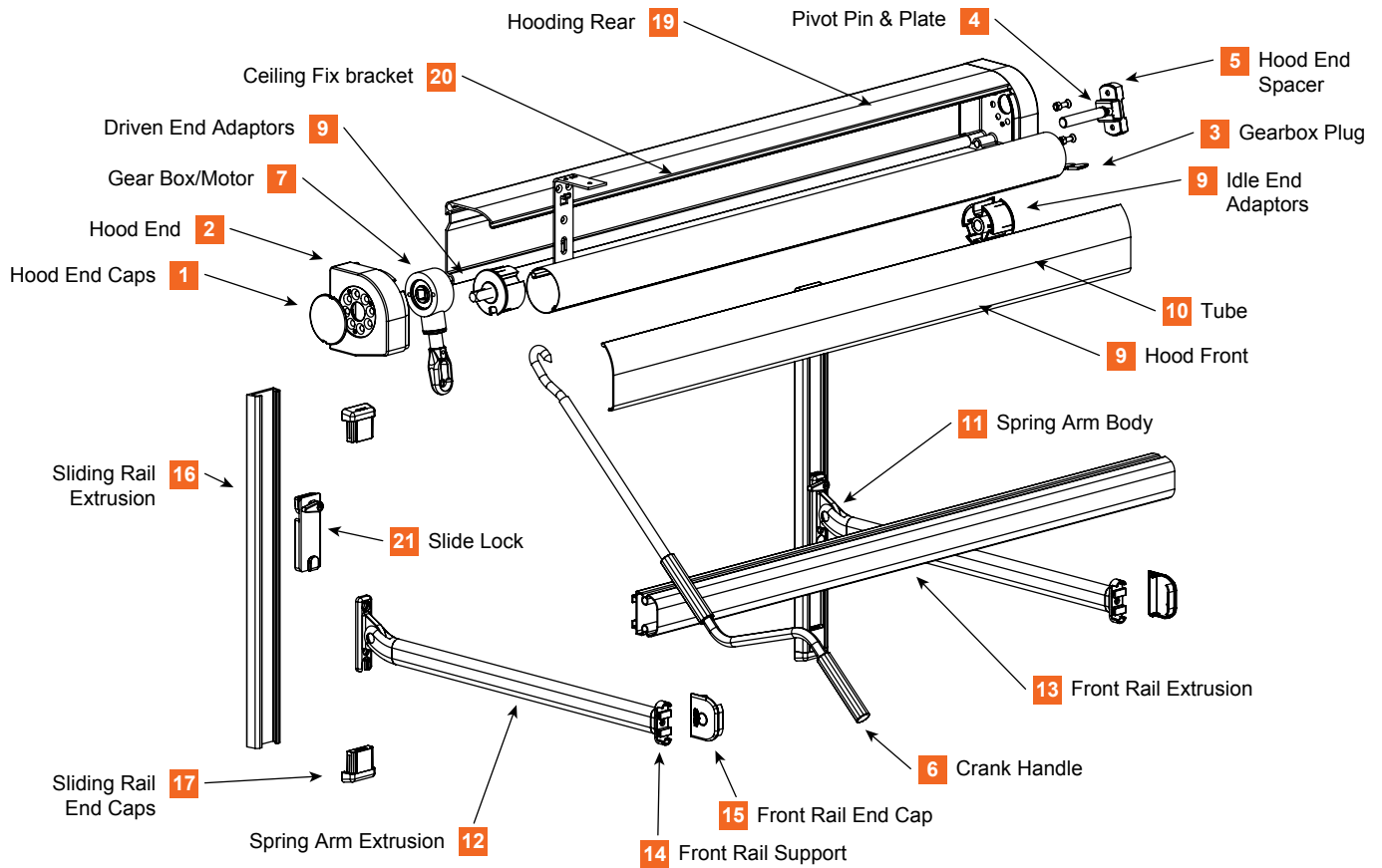


# BILL OF MATERIALS FOR PROTÉGER PIVOT AWNING.



BOM NUMBER	PART NAMES	SLIDING	FIXED	BOM NUMBER	PART NAMES	SLIDING	FIXED
1	Hood Ends Caps	✓	✓	11	Spring Arm Body	✓	✓
2	Hood End	✓	✓	12	Spring Arm Extrusion	✓	✓
3	Gearbox Plugs	✓	✓	13	Front Rail Extrusion	✓	✓
4	Pivot Pin & Plate	✓	✓	14	Front Rail Support	✓	✓
5	Hood End Spacer	✓	✓	15	Front Rail End Caps	✓	✓
6	Crank Handle	✓	✓	16	Sliding Rail Extrusion	✓	
7	Gearbox / Motor	✓	✓	17	Sliding Rail End Caps	✓	
8	Idle End Adaptors	✓	✓	18	Hooding Front	✓	✓
9	Driven End Adaptors	✓	✓	19	Hooding Rear	✓	✓
10	Tube	✓	✓	20	Ceiling Fix Brackets	✓	✓
				21	Slide lock	✓	

IT'S YOUR CHOICE.

The preferred window covering system supplier to the industry.

Australia +61 7 3804 9000 | [info@uniline.com.au](mailto:info@uniline.com.au) | [uniline.com.au](http://uniline.com.au)

New Zealand +64 9 273 5026 | [salesnz@uniline.com.au](mailto:salesnz@uniline.com.au) | [uniline.co.nz](http://uniline.co.nz)

