

design
manufacture
supply

The preferred window covering
system supplier to the industry.

November 2016

Uniline Components List

Cassia Blinds



UNILINE'S STORY

A Proud Tradition

Established over 50 years ago, Uniline has long been synonymous with providing high quality systems, components and fabrics for the wholesale and retail markets, with a large number of our products proudly Australian designed and manufactured. Our head office is located in Queensland, Australia and we also boast an extensive sales and warehousing network throughout Australia and New Zealand, giving us the power to distribute to a national customer base.

Uniline proudly offers the highest levels of innovation, quality and service in everything we do. This is why we endorse every one of our products with the coveted Uniline warranty.

Uniline's Head Office
Yatala, Queensland

Peerless Manufacturing Standard

Over the decades, we have gained a reputation for our impeccable production ethic. With production facilities in Australia and New Zealand we manufacture many of our system components and fabric collections.

Each is stringently tested so it can leave the factory bearing our industry leading warranty.

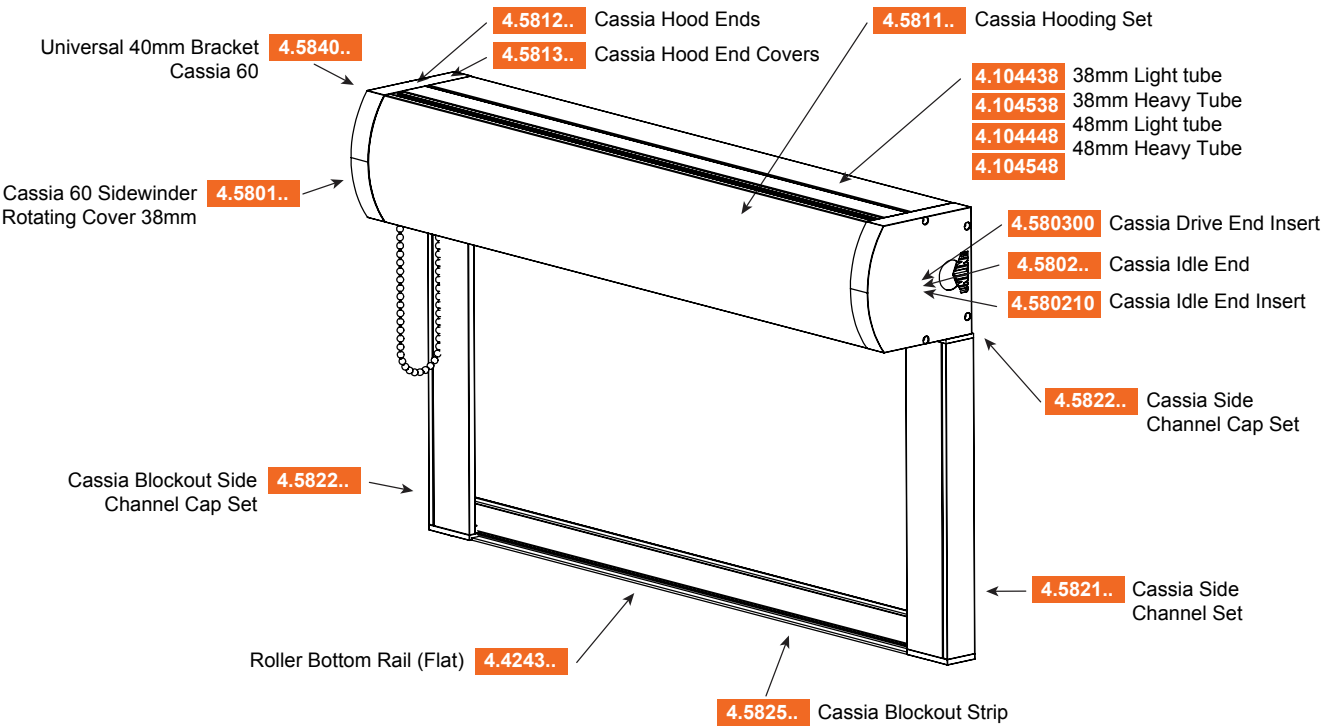
Innovation Excellence

We strive to be leaders in our industry, and to be the best in everything we do, from the products we produce or acquire to the systems and processes we adopt.

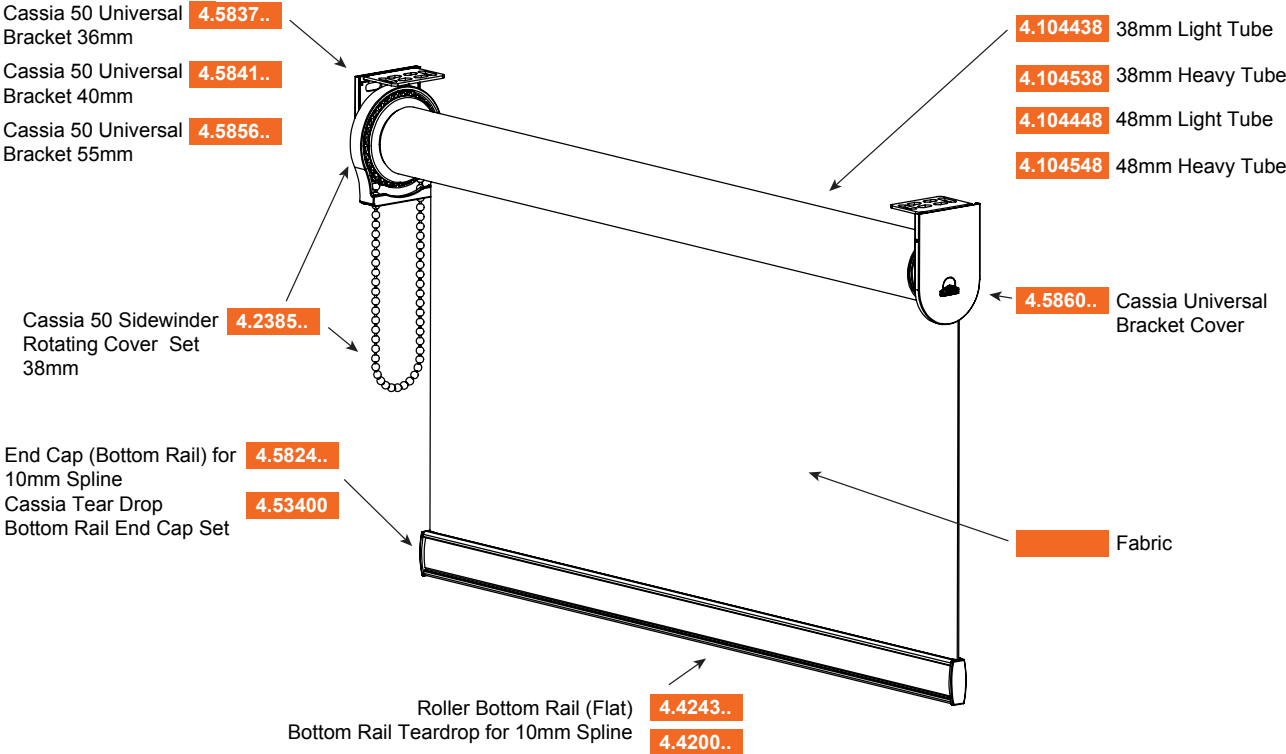


CASSIA ROLLER BLINDS - DIAGRAMS

CASSIA ROLLBOX

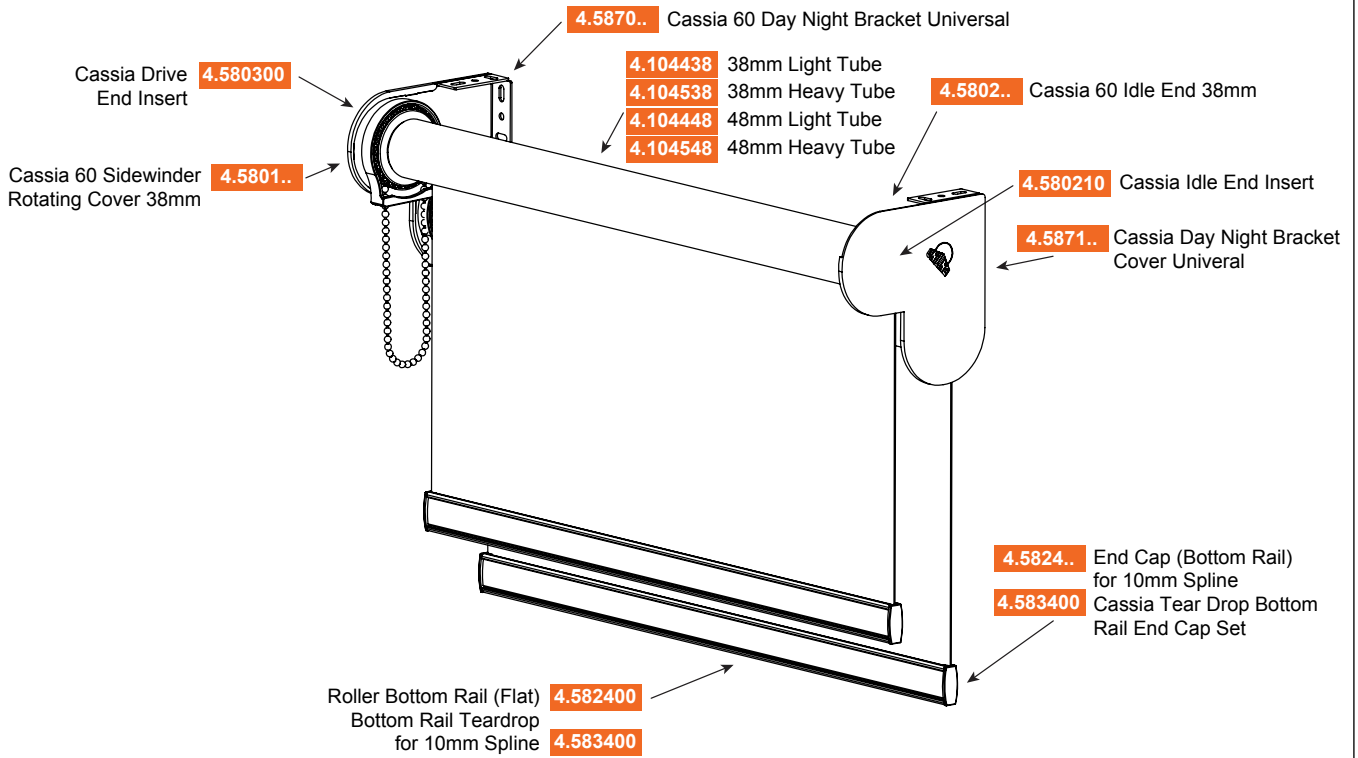


CASSIA STANDARD

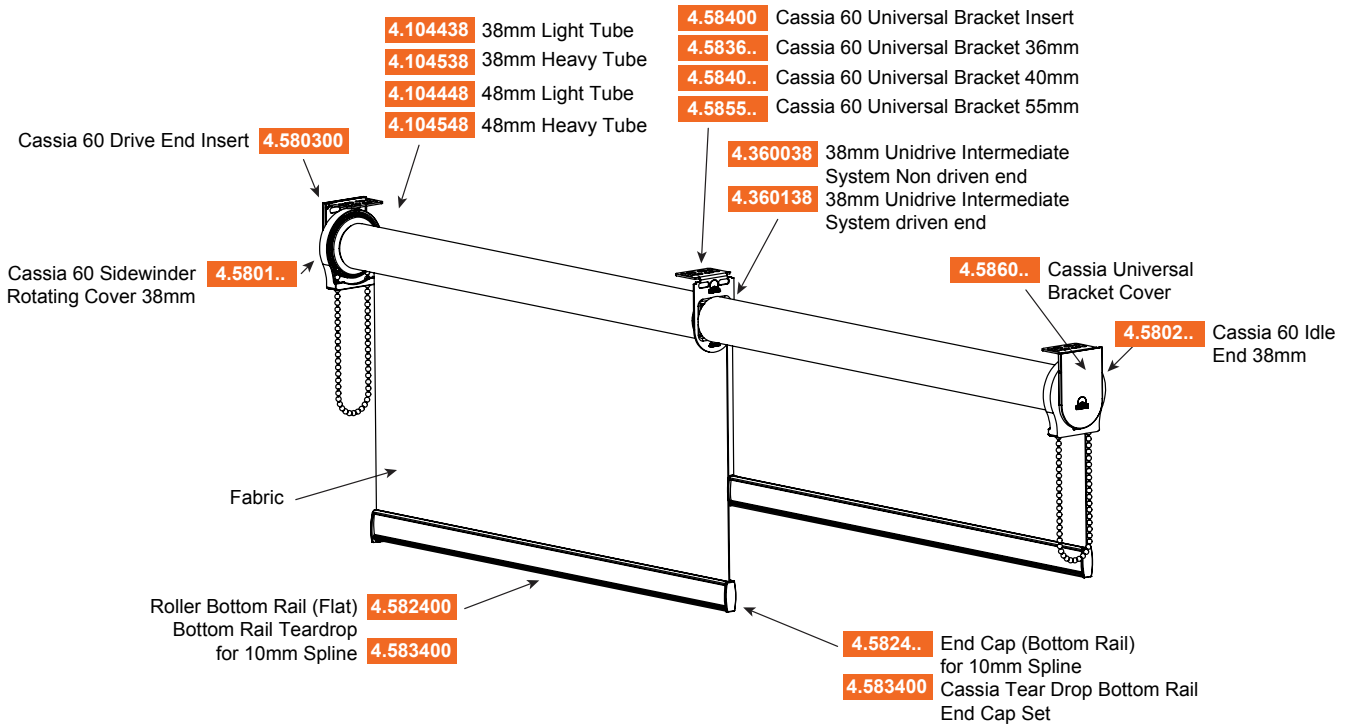


CASSIA ROLLER BLINDS - DIAGRAMS

CASSIA DAY/NIGHT



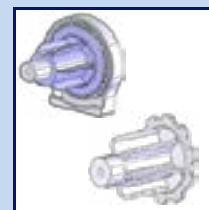
CASSIA LINKED



Cassia 50

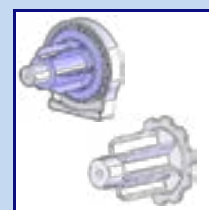
Cassia 50 38mm Sidewinder Set - Plastic

Part No.	Finish	Qty/Set	Unit Price	Pack Price
4.238500	00 Birch White	25		
4.238502	02 White	25		
4.238505	05 Ebony	25		
4.238512	12 Sterling	25		
4.238513	13 Beige	25		



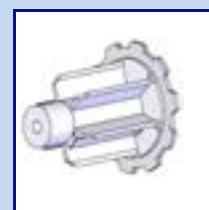
Cassia 50 48mm Sidewinder Set - Plastic

Part No.	Finish	Qty/set	Unit Price	Pack Price
4.248500	00 Birch White	25		
4.248502	02 White	25		
4.248505	05 Ebony	25		
4.248512	12 Sterling	25		
4.248513	13 Beige	25		



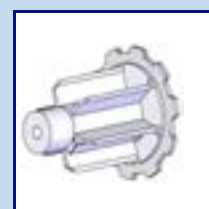
Cassia 50 38mm Retractable Idle Long Pin - Plastic

Part No.	Finish	Qty	Unit Price	Pack Price
4.273800	00 Birch White	25		
4.273802	02 White	25		
4.273805	05 Ebony	25		
4.273812	12 Sterling	25		
4.273813	13 Beige	25		



Cassia 50 48mm Retractable Idle Long Pin - Plastic

Part No.	Finish	Qty	Unit Price	Pack Price
4.274800	00 Birch White	25		
4.274802	02 White	25		
4.274805	05 Ebony	25		
4.274812	12 Sterling	25		
4.274813	13 Beige	25		



Cassia 50 36mm Sidewinder Bracket - Zinc Plated Steel / Powder Coated Colours

Part No.	Finish	Qty/Set	Unit Price	Pack Price
4.583700	00 Birch White	10		
4.583702	02 White	10		
4.583705	05 Ebony	10		
4.583712	12 Sterling	10		
4.583713	13 Beige	10		



CASSIA 50 ROLLER BLINDS

Cassia 50 40mm Sidewinder Bracket - Zinc Plated Steel / Powder Coated Colours

Part No.	Finish	Qty/Set	Unit Price	Pack Price
4.584100	00 Birch White	10		
4.584102	02 White	10		
4.584105	05 Ebony	10		
4.584112	12 Sterling	10		
4.584113	13 Beige	10		



Cassia 50 55mm Sidewinder Bracket - Zinc Plated Steel / Powder Coated Colours

Part No.	Finish	Qty/Set	Unit Price	Pack Price
4.585600	00 Birch White	10		
4.585602	02 White	10		
4.585605	05 Ebony	10		
4.585612	12 Sterling	10		
4.585613	13 Beige	10		



Cassia 50 36mm Motor Bracket - Zinc Plated Steel / Powder Coated Colours

Part No.	Finish	Qty/Set	Unit Price	Pack Price
4.223600M	00 Birch White	10		
4.223602M	02 White	10		
4.223603M	03 Grey	10		
4.223605M	05 Ebony	10		
4.223613M	13 Beige	10		



Cassia 50 40mm Motor Bracket - Zinc Plated Steel / Powder Coated Colours

Part No.	Finish	Qty/Set	Unit Price	Pack Price
4.224000M	00 Birch White	10		
4.224002M	02 White	10		
4.224003M	03 Grey	10		
4.224005M	05 Ebony	10		
4.224013M	13 Beige	10		



Cassia 50 55mm Motor Bracket - Zinc Plated Steel / Powder Coated Colours

Part No.	Finish	Qty/Set	Unit Price	Pack Price
4.225500M	00 Birch White	10		
4.225502M	02 White	10		
4.225503M	03 Grey	10		
4.225505M	05 Ebony	10		
4.225513M	13 Beige	10		



Cassia 50 40mm Intermediate Bracket - Zinc Plated Steel / Powder Coated Colours

Part No.		Finish	Qty/Set	Unit Price	Pack Price
4.374000		00 Birch White	5		
4.374002		02 White	5		
4.374005		05 Ebony	5		
4.374013		13 Beige	5		



Cassia 50 55mm Intermediate Bracket - Zinc Plated Steel / Powder Coated Colours

Part No.		Finish	Qty/Set	Unit Price	Pack Price
4.375500		00 Birch White	5		
4.375502		02 White	5		
4.375505		05 Ebony	5		
4.375513		13 Beige	5		



Cassia 50 Day / Night Bracket - Zinc Plated Steel / Powder Coated Colours

Part No.		Finish	Qty/Set	Unit Price	Pack Price
4.587300	RH	00 Birch White	5		
4.587302	RH	02 White	5		
4.587305	RH	05 Ebony	5		
4.587312	RH	12 Sterling	5		
4.587313	RH	13 Beige	5		
4.587400	LH	00 Birch White	5		
4.587402	LH	02 White	5		
4.587405	LH	05 Ebony	5		
4.587412	LH	12 Sterling	5		
4.587413	LH	13 Beige	5		



Cassia 50 Day / Night Motor Bracket - Zinc Plated Steel / Powder Coated Colours

Part No.		Finish	Qty/Set	Unit Price	Pack Price
4.587300M	RH	00 Birch White	5		
4.587302M	RH	02 White	5		
4.587305M	RH	05 Ebony	5		
4.587312M	RH	12 Sterling	5		
4.587313M	RH	13 Beige	5		
4.587400M	LH	00 Birch White	5		
4.587402M	LH	02 White	5		
4.587405M	LH	05 Ebony	5		
4.587412M	LH	12 Sterling	5		
4.587413M	LH	13 Beige	5		



CASSIA 50 ROLLER BLINDS

Cassia 50 Day / Night Intermediate Bracket - Zinc Plated Steel / Powder Coated Colours

Part No.		Finish	Qty/Set	Unit Price	Pack Price
4.370100		00 Birch White	5		
4.370102		02 White	5		
4.370105		05 Ebony	5		



38mm Cassia Intermediate System - Plastic

Part No.		Finish	Qty	Unit Price	Pack Price
4.360038	Non driven end		5		
4.360138	Driven end		5		



48mm Cassia Intermediate System - Plastic

Part No.		Finish	Qty	Unit Price	Pack Price
4.360048	Non driven end		5		
4.360148	Driven end		5		



Cassia 60

Cassia Sidewinder Rotating Cover 38mm - Plastic

Part No.		Finish	Qty	Unit Price	Pack Price
4.580100		00 Birch White	25		
4.580102		02 White	25		
4.580105		05 Ebony	25		
4.580112		12 Sterling	25		



Cassia Idle End 38mm - Plastic

Part No.		Finish	Qty	Unit Price	Pack Price
4.580200		00 Birch White	25		
4.580202		02 White	25		
4.580205		05 Ebony	25		
4.580212		12 Sterling	25		



38mm Cassia Intermediate System - Plastic

Part No.		Finish	Qty	Unit Price	Pack Price
4.360038	Non driven end		5		
4.360138	Driven end		5		
4.580400	Cassia Intermed. Bkt Insert		5		
4.580420	Cassia Adjust. Link Gear		10		
4.580450	Cassia Adjust. Link Insert		5		



36mm Cassia Universal Bracket - Zinc Plated Steel/Powder Coated Colours

Part No.		Finish	Qty	Unit Price	Pack Price
4.583600		00 Birch White	20		
4.583602		02 White	20		
4.583605		05 Ebony	20		
4.583612		12 Sterling	20		



40mm Cassia Universal Bracket - Zinc Plated Steel/Powder Coated Colours

Part No.		Finish	Qty	Unit Price	Pack Price
4.584000		00 Birch White	20		
4.584002		02 White	20		
4.584005		05 Ebony	20		
4.584012		12 Sterling	20		



CASSIA 60 ROLLER BLINDS

55mm Cassia Universal Bracket - Zinc Plated Steel/Powder Coated Colours

Part No.	Finish	Qty	Unit Price	Pack Price
4.585500	00 Birch White	20		
4.585502	02 White	20		
4.585505	05 Ebony	20		
4.585512	12 Sterling	20		



Cassia Drive End Insert - Plastic

Part No.	Finish	Qty	Unit Price	Pack Price
4.580300	Clear	20		



Cassia Idle End Insert - Plastic

Part No.	Finish	Qty	Unit Price	Pack Price
4.580210	Clear	20		



Cassia Spring Insert - Plastic

Part No.	Finish	Qty	Unit Price	Pack Price
4.580320	Clear	20		



Cassia Universal Day Night Bracket - Zinc Plated Steel/Powder Coated

Part No.	Finish	Qty	Unit Price	Pack Price
4.587000	00 Birch White	10		
4.587002	02 White	10		
4.587005	05 Ebony	10		
4.587012	12 Sterling	10		



Cassia Universal Day Night Bracket Cover - Plastic

Part No.	Finish	Qty	Unit Price	Pack Price
4.587100	00 Birch White	10		
4.587102	02 White	10		
4.587105	05 Ebony	10		
4.587112	12 Sterling	10		



5.8m Cassia Hooding Set - Aluminium

Part No.	Finish	Qty/Set	Unit Price	Pack Price
4.581100	00 Birch White	1		
4.581102	02 White	1		
4.581105	05 Ebony	1		
4.581112	12 Sterling	1		



Cassia Hood Ends Universal - Plastic

Part No.	Finish	Qty/Pr	Unit Price	Pack Price
4.581200	00 Birch White	5		
4.581202	02 White	5		
4.581205	05 Ebony	5		
4.581212	12 Sterling	5		



Cassia Hood End Covers - Aluminium

Part No.	Finish	Qty	Unit Price	Pack Price
4.581300	00 Birch White	5		
4.581302	02 White	5		
4.581305	05 Ebony	5		
4.581312	12 Sterling	5		



5.8m Cassia Side Channel Set - Aluminium

Part No.	Finish	Qty/Set	Unit Price	Pack Price
4.582100	00 Birch White	1		
4.582102	02 White	1		
4.582105	05 Ebony	1		
4.582112	12 Sterling	1		



5.8m Cassia Blockout Strip - Aluminium

Part No.	Finish	Qty	Unit Price	Pack Price
4.582500	00 Birch White	10		
4.582502	02 White	10		
4.582505	05 Ebony	10		
4.582512	12 Sterling	10		



Cassia Side Channel Cap Set - Plastic

Part No.	Finish	Qty/Set	Unit Price	Pack Price
4.582200	00 Birch White	5		
4.582202	02 White	5		
4.582205	05 Ebony	5		
4.582212	12 Sterling	5		



30m Roll of Side Channel Bug Strip - Plastic Polyester

Part No.	Finish	Qty	Unit Price	Pack Price
6.9003300		30		



Cassia Bottom Rail Stopper - Plastic

Part No.	Finish	Qty	Unit Price	Pack Price
4.586500		20		



CASSIA UNIVERSAL 50-60 ROLLER BLINDS

Cassia Universal 50 – 60

5.8m x 38mm Unitube to suit 10mm Spline - Aluminium

Part No.		Finish	Qty	Unit Price	Pack Price
4.104438			10		



5.8m x 38mm Unitube Heavy to suit 10mm Spline - Aluminium

Part No.		Finish	Qty	Unit Price	Pack Price
4.104538			10		



5.8m x 48mm Unitube to suit 10mm Spline - Aluminium

Part No.		Finish	Qty	Unit Price	Pack Price
4.104448			6		



5.8m x 48mm Unitube Heavy to suit 10mm Spline (manual and motorisation) - Aluminium

Part No.		Finish	Qty	Unit Price	Pack Price
4.104548			6		



5.8m x 60mm Aluminium Tube to suit 10mm Spline - Aluminium

Part No.		Finish	Qty	Unit Price	Pack Price
4.104660			3		



3.6m Spline Tape 10mm with Adhesive - Plastic

Part No.		Finish	Qty	Unit Price	Pack Price
4.122005		Grey	100		



Cassia Tube Adapter 38mm to 48mm - Plastic

Part No.		Finish	Qty	Unit Price	Pack Price
4.580500		Grey	5		



38mm Cassia Spring Assembly with Idle End

Part No.		Finish	Qty	Unit Price	Pack Price
4.538103	Junior	Ebony	30		
4.538203	Senior	Ebony	30		
4.538303	Double	Ebony	5		



CASSIA UNIVERSAL 50-60 ROLLER BLINDS

38mm Cassia Helper Spring

Part No.		Finish	Qty	Unit Price	Pack Price
4.538503	Standard	Ebony	5		
4.538603	Reverse	Ebony	5		



38mm Cassia Spring Assist

Part No.		Finish	Qty	Unit Price	Pack Price
4.538803	Senior Right Hand		5		
4.538903	Senior Left Hand		5		
S A R	Spring Assist Royalty	(No Discount Applies)			



48mm Cassia Spring Assist

Part No.		Finish	Qty	Unit Price	Pack Price
4.548803	Double Right Hand		5		
4.548903	Double Left Hand		5		
S A R	Spring Assist Royalty	(No Discount Applies)			



Universal Bracket Cover

Part No.		Finish	Qty	Unit Price	Pack Price
4.586000	Bracket Cover	00 Birch White	10		
4.586002	Bracket Cover	02 White	10		
4.586005	Bracket Cover	05 Ebony	10		
4.586012	Bracket Cover	12 Sterling	10		



5.8m Roller Bottom Rail (Flat) - Aluminium

Part No.		Finish	Qty	Unit Price	Pack Price
4.414300		00 Birch White	10		
4.414302		02 White	10		
4.414305		05 Ebony	10		
4.414307		07 Clear Anodised	10		



End Cap (Bottom Rail) - Plastic (Polycarbonate)

Part No.		Finish	Qty	Unit Price	Pack Price
4.504000		Clear	100		



Cord Bottom Rail 3.6MTR x 3.85mm Dia. Rigid

Part No.		Finish	Qty	Unit Price	Pack Price
4.414200		Natural	100		



3.6m Keyway Spline Triangular - Plastic

Part No.		Finish	Qty	Unit Price	Pack Price
4.122301		01 3mm Base	100		
4.122302		02 3.5mm Base	100		
4.122303		03 4mm Base	100		



CASSIA UNIVERSAL 50-60 ROLLER BLINDS

5.8m Roller Bottom Rail (Flat) 10mm Spline - Aluminium

Part No.	Finish	Qty	Unit Price	Pack Price
4.424300	00 Birch White	10		
4.424302	02 White	10		
4.424305	05 Ebony	10		
4.424307	07 Clear Anodised	10		
4.424312	12 Sterling	10		



End Cap (Bottom Rail) for 10mm Spline - Plastic (Polycarbonate)

Part No.	Finish	Qty/Pr	Unit Price	Pack Price
4.582400	00 Birch White	50		
4.582402	02 White	50		
4.582405	05 Ebony	50		
4.582412	12 Sterling	50		



5.8m Bottom Rail Teardrop for 10mm Spline - Aluminium

Part No.	Finish	Qty	Unit Price	Pack Price
4.420000	00 Birch White	10		
4.420002	02 White	10		
4.420005	05 Ebony	10		
4.420007	07 Clear Anodised	10		
4.420012	12 Sterling	10		



Cassia Tear Drop Bottom Rail End Cap Set - Plastic (Polycarbonate)

Part No.	Finish	Qty/Pr	Unit Price	Pack Price
4.583500	00 Birch White	50		
4.583502	02 White	50		
4.583505	05 Ebony	50		
4.583512	12 Sterling	50		



Cassia Flat Bottom Rail Wire Guide End Cap Set - Plastic (Polycarbonate)

Part No.	Finish	Qty/Pr	Unit Price	Pack Price
4.582300	Clear	20		



3.6m Blind Lath Timber Finger Jointed

Part No.	Finish	Qty/Pr	Unit Price	Pack Price
4.401360		50		



Cassia Universal Wire Guide Bush - Brass Nickel Plated

Part No.	Finish	Qty	Unit Price	Pack Price
4.588007	Brass Nickel	50		



CASSIA UNIVERSAL 50-60 ROLLER BLINDS

Cassia Wire Guide Cable .8mm 50M Spool - Stainless Steel

Part No.		Finish	Qty	Unit Price	Pack Price
4.588050		Stainless Steel	50		



5.8m Bottom Rail Flat Large for 10mm Spline - Aluminium

Part No.		Finish	Qty	Unit Price	Pack Price
4.380000		00 Birch White	3		
4.380002		02 White	3		
4.380005		05 Ebony	3		
4.380007		07 Clear Anodised	3		



End Cap (Bottom Rail) for 10mm Spline - Plastic

Part No.		Finish	Qty	Unit Price	Pack Price
4.381402		02 White	50		
4.381403		03 Grey	50		
4.381405		05 Ebony	50		
4.381416		16 Chrome	50		



Roll of 50BPF Operating Chain Suitable for Unidrive Sidewinder - Metal

Part No.		Finish	Qty	Unit Price	Pack Price
4.139000		Stainless Steel	150		
4.139101		Nickel Plated Brass	150		



Chain Connector - Stainless Steel/Nickel Plated Brass

Part No.		Finish	Qty	Unit Price	Pack Price
4.139100		Stainless Steel	100		
4.139110		Nickel Plated Brass	100		



Chain Stopper - Nickel Plated Brass

Part No.		Finish	Qty	Unit Price	Pack Price
4.139111			100		



500mm Operating Chain - Polyester Cord, Plastic (POM) and Stainless Steel

Part No.		Finish	Qty	Unit Price	Pack Price
5.457100	500mm	00 Birch White	10		
5.457102	500mm	02 White	10		
5.457103	500mm	03 Grey	10		
5.457105	500mm	05 Ebony	10		
5.457113	500mm	13 Beige	10		
4.140050	500mm	Stainless Steel 50BPF	10		



CASSIA UNIVERSAL 50-60 ROLLER BLINDS

750mm Operating Chain - Polyester Cord, Plastic (POM) and Stainless Steel

Part No.		Finish	Qty	Unit Price	Pack Price
5.457200	750mm	00 Birch White	10		
5.457202	750mm	02 White	10		
5.457203	750mm	03 Grey	10		
5.457205	750mm	05 Ebony	10		
5.457213	750mm	13 Beige	10		
4.140075	750mm	Stainless Steel 50BPF	10		



1000mm Operating Chain - Polyester Cord, Plastic (POM) and Stainless Steel

Part No.		Finish	Qty	Unit Price	Pack Price
5.457300	1000mm	00 Birch White	10		
5.457302	1000mm	02 White	10		
5.457303	1000mm	03 Grey	10		
5.457305	1000mm	05 Ebony	10		
5.457313	1000mm	13 Beige	10		
4.140100	1000mm	Stainless Steel 50BPF	10		



1200mm Operating Chain - Polyester Cord, Plastic (POM) and Stainless Steel

Part No.		Finish	Qty	Unit Price	Pack Price
5.457500	1200mm	00 Birch White	10		
5.457502	1200mm	02 White	10		
5.457503	1200mm	03 Grey	10		
5.457505	1200mm	05 Ebony	10		
5.457513	1200mm	13 Beige	10		
4.140120	1200mm	Stainless Steel 50BPF	10		



1500mm Operating Chain - Polyester Cord, Plastic (POM) and Stainless Steel

Part No.		Finish	Qty	Unit Price	Pack Price
5.457700	1500mm	00 Birch White	10		
5.457702	1500mm	02 White	10		
5.457703	1500mm	03 Grey	10		
5.457705	1500mm	05 Ebony	10		
5.457713	1500mm	13 Beige	10		
4.140150	1500mm	Stainless Steel 50BPF	10		



Cord Safe (Includes Screw) - Plastic (ABS)

Part No.		Finish	Qty	Unit Price	Pack Price
5.600001		01 Clear	100		
5.600002		02 White	100		



CASSIA UNIVERSAL 50-60 ROLLER BLINDS

Chain Safe (Includes Screw) - Plastic (Polycarbonate)

Part No.		Finish	Qty	Unit Price	Pack Price
5.600200		00 Clear	100		
5.600202		02 White	100		



Cord Tension Device Face Fix - Stainless Steel/Plastic (POM)

Part No.		Finish	Qty	Unit Price	Pack Price
4.418102		White	50		



Cord Tension Device Recess - Plastic (POM)

Part No.		Finish	Qty	Unit Price	Pack Price
4.418502		White	50		



Safety Warning Sticker for Packaging

Part No.		Finish	Qty	Unit Price	Pack Price
9.223151			1000		



Safety Warning Tag

Part No.		Finish	Qty	Unit Price	Pack Price
9.223158	Without Tie		500		
9.223159	With Tie		500		



Roller Installation Instructions

Part No.		Finish	Qty	Unit Price	Pack Price
9.205643			200		



Safety Identification Tags

Part No.		Finish	Quantity	Unit Price	Pack Price
9.223160	Without Tie		500		
9.223161	With Tie		500		



Screw 4 x 3/8 Pan (For Head Unit) - Zinc Coated Steel

Part No.		Finish	Quantity	Unit Price	Pack Price
9.190410	NS10	Metal	1000		



CASSIA UNIVERSAL 50-60 ROLLER BLINDS

Screw 5g x 3/4 Inch CSK C/R - Metal

Part No.		Finish	Qty	Unit Price	Pack Price
9.191520	NS10	Metal	1000		



Screw 6 x 20 CSK C/R - Metal

Part No.		Finish	Qty	Unit Price	Pack Price
9.191620	NS10	Metal	1000		



Intermediate System Unlocking Tool - Metal

Part No.		Finish	Qty	Unit Price	Pack Price
9.317760	NS10		1		



Metal Pliers - Metal

Part No.		Finish	Qty	Unit Price	Pack Price
9.385000	NS10		1		



Mottura 60

Mottura Sidewinder for 60mm Tube - 47mm Dia - Geared Down 1:4 - Plastic

Part No.		Finish	Qty	Unit Price	Pack Price
4.381002		02 White	50		
4.381003		03 Grey	50		
4.381005		05 Ebony	50		



Mottura Sidewinder for 60mm Tube - 49mm Dia - Direct Drive - Plastic

Part No.		Finish	Qty	Unit Price	Pack Price
4.381102		02 White	1		



Mottura Idle End for 60mm Tube - 47mm Dia - Plastic with Metal Pin

Part No.		Finish	Qty	Unit Price	Pack Price
4.381240		Grey	50		



Mottura Mechanical End Stop - 49mm / 60mm Dia - Plastic with Metal Pin

Part No.		Finish	Qty	Unit Price	Pack Price
4.381210		Grey	50		



Mottura 60mm Spring Assist - 49mm Dia - Spring Steel Wire, Plastic Housing

Part No.		Finish	Qty	Unit Price	Pack Price
4.381251	Left	Grey	50		
4.381252	Right	Grey	50		



Mottura End Plug with Pin for 60mm Tube - 49mm Dia

Part No.		Finish	Qty	Unit Price	Pack Price
4.381220		White	50		



Mottura End Plug for Bottom Rail Alignment

Part No.		Finish	Qty	Unit Price	Pack Price
4.381426		White	50		



Mottura Sidewinder End Plug - (No Pin)

Part No.		Finish	Qty	Unit Price	Pack Price
4.381221		White	50		



MOTTURA 60 ROLLER BLINDS

Mottura Sidewinder Connecting End Plug

Part No.	Finish	Qty	Unit Price	Pack Price
4.381230	White	50		



Mottura Sidewinder Brackets for 60mm Tube - Zinc Plated Steel/Plastic covers

Part No.	Finish	Qty/Pr	Unit Price	Pack Price
4.381302	02 White	50		
4.381303	03 Grey	50		
4.381305	05 Ebony	50		



Mottura Intermediate Brackets for 60mm Tube - Zinc Plated Steel/Plastic covers

Part No.	Finish	Qty	Unit Price	Pack Price
4.381202	02 White	50		
4.381203	03 Grey	50		
4.381205	05 Ebony	50		



RETURN OF GOODS POLICY

To lodge a claim for a credit, the following steps need to be followed:

1. Contact your Uniline State Office to advise the basis of your claim – e.g. faulty goods; damaged in transit; incorrect item supplied, etc., - and the invoice number that the claim will relate to.
2. You will then be given a Credit Return Number and arrangements for the physical return of the goods will be advised. The Credit Return Number must be written on the goods being returned otherwise they will not be accepted by our warehouse staff.

Please Note:

- Any claim for credit must be lodged with Uniline within 30 days of the relevant Invoice date - No credit will be considered after 30 days.
 - All goods must be returned in their original packaging so as not to damage the goods. Any damage of the goods will be deducted from the original claim accordingly.
 - Goods must not be returned at any time prior to the Credit Return Number being issued by Uniline. Any items returned without a Credit Return Number clearly marked will not be accepted by any Uniline warehouse and will be returned at the customer's expense.
 - Uniline reserves the right to inspect the goods on their return to Uniline prior to approval of a credit.
- Only items that relate to 1 invoice number are to be put on any form – ie. no multiple invoice numbers per form or Credit Return Number.
 - Until all the above processes have been completed, a credit cannot be raised or issued.
 - Any Credit request by a customer for goods ordered incorrectly, not required or over ordered by the customer, will incur a 25% restocking and handling fee, and must be within 30 days of invoice date. Return of these goods, if approved, must be at the customer's expense.

TERMS AND CONDITION OF SALE

1. In these terms and conditions:

- a) "Uniline" means Uniline Australia Limited;
- b) "Purchaser" means the purchaser of the goods who is specified as the "applicant" in the Credit Account Application or the purchaser named in the invoice as the case may be;
- c) "goods" means all products of whatever nature and, if any, services provided to the purchaser from time to time;
- d) "PPS Act" means Personal Property Securities Act 2009 and includes the Personal Property Securities Regulations 2010 and any amendments or re-enactments of the PPS Act or the Regulations.
- e) "PPS Register" means Personal Property Securities Register established under the PPS Act.

Terms and Conditions for supply of goods

2. The terms and conditions for the supply of goods by Uniline to the purchaser:
 - a) shall be as set out herein unless amended by Uniline by notice in writing to the purchaser in which case the placing of an order by the purchaser with Uniline following receipt of such notice shall constitute acceptance by the purchaser of the terms and conditions as amended in respect of all future supply of goods by Uniline to the purchaser; and
 - b) shall not be varied by the wording of any purchaser's order form, notice of acceptance or otherwise unless such a variation is expressly agreed in writing for and on behalf of Uniline by its duly authorised representative.
3. To the extent of any inconsistency between these terms and conditions and the terms and conditions of the purchaser's order these terms and conditions shall prevail.

Quotations

4. No quotation by Uniline shall constitute an offer. Acceptance by a purchaser of a quotation by Uniline shall not be binding on Uniline unless and until Uniline issues written confirmation to the purchaser.

Price

5. The prices for products supplied shall be the prices current as at the date of dispatch by Uniline for delivery to the purchaser. Prices shall be subject to change without notice.

Terms

6. Goods purchased shall be paid for prior to delivery unless Uniline in its sole discretion agrees to sell the goods on credit to the purchaser, in which case the thirty (30) day terms of the Credit Application will apply.
7. All payments are due and payable to Uniline PO Box 6188 Yatala DC, Qld 4207 or 2 Computer Road, Yatala, Qld, 4207. Payments received by Uniline from the purchaser will be credited towards payment of the longest outstanding invoice/s.
8. Customers shall not be entitled to withhold payment or part payment of any account by reason of any account query, dispute or set off.
9. Customers having overdue accounts will be precluded from participating in any special deals, discounts, rebates and all other incentive programs until their accounts are no longer overdue.

Delivery

10. Uniline is authorised by the purchaser to deliver goods to the address nominated by the purchaser at any time within a practical time from receipt of the purchaser's order, and to leave such goods at that address notwithstanding the absence of any representative of the purchaser at the delivery site. Under no circumstances shall Uniline be liable on any basis whatsoever for loss suffered by the purchaser following delivery.
11. Uniline's delivery records shall be prima facie proof of delivery of the goods in good order and of the quality and description stated therein and shall be evidence of receipt by the purchaser notwithstanding the absence of any representative of the purchaser at the delivery address. "Written" acknowledgement of receipt of the goods given by a person at the delivery address shall be conclusive evidence of delivery of the goods in good order and of the quality and description stated in Uniline's delivery records.
12. Delivery times made known by Uniline or its representative to the purchaser, if any, are estimates only and the purchaser acknowledges that Uniline has no obligation to deliver goods at such times or at all and Uniline shall not be liable for any loss, damage or delay sustained by the purchaser or any other person arising from the timing of delivery or its failure to deliver.

PPS ACT 2009

13. The Customer agrees that Uniline will have a Purchase Money Security Interest (PMSI) (as defined in the PPS Act) in any product or equipment supplied to the customer.
14. The parties agree to 'contract out' under section 115 of the PPS Act in respect of goods that are not used predominantly for personal, domestic or household purposes:

- a) Sections 95 (notice of removal of accession), 96 (retention of accession), 118 (enforcing security interest in accordance with land law decisions), 121(4) (enforcement of liquid assets), 125 (obligations to dispose of or retain collateral), 130 (notice of disposal to the extent it requires notice to customer), 132(3)(d) (contents of statement after disposal), 132 (4) (statement of account if no disposal), 135 (notice of retention)
- b) The customer waives its rights to receive a verification statement in relation to registration events in respect of commercial property under section 157
- c) Notwithstanding section 275, the parties further agree to keep confidential the contents of these Terms and related material.

Title

15. Title to and property in the goods supplied and delivered by Uniline to the Purchaser shall not pass until all goods delivered by Uniline to the purchaser and all debts owing by the Purchaser to Uniline no matter on what grounds have been paid for in full or the goods are delivered by the purchaser to a sub-purchaser thereof pursuant to a bona fide transaction in the normal course of business of the purchaser. Any payment made by or on behalf of a purchaser which is later avoided pursuant to any statutory provision shall be deemed not to discharge the purchaser's indebtedness and, in such event, the purchaser and Uniline are to be restored to rights which each respectively would have had if such payment had not been made.
16. Until title to and property in the goods shall pass in accordance with these terms and conditions the purchaser shall hold such goods as bailee for Uniline and shall store such goods in a proper and safe manner and in such a way as to be readily identifiable as the property of the seller.
17. The purchaser hereby irrevocably authorises the representatives of Uniline to enter upon the purchaser's premises where the goods are stored, or are thought by Uniline to be stored, for the purpose of repossessing them and subsequently reselling them.
18. It is agreed between the purchaser and Uniline that where Uniline enters the premises of the purchaser to take possession of the goods and it is not possible to otherwise identify which goods in the possession of the purchaser remain owned by Uniline, the determination of ownership will be determined on the presumption that the purchaser has sold goods purchased from Uniline in the same sequence as the purchaser has taken delivery of goods from Uniline which presumption is irrebuttable.
19. To the extent that title in the goods has not passed, the purchaser shall be entitled to agree to sell the goods in the ordinary course of its business as principal vis-à-vis the sub-purchaser and not as agent for Uniline. Uniline, however, shall be legally and beneficially entitled to the proceeds of sale and the purchaser shall pay such proceeds of sale into a separate account or otherwise shall ensure that all such proceeds of sale are kept by or on behalf of the purchaser in a separate and identifiable form. In particular but without prejudice to the generality of the foregoing the purchaser shall not pay the proceeds of sale into any bank account which is overdrawn. Further, forthwith upon receipt of the proceeds of sale the purchaser shall pay to Uniline any of the aforesaid sums outstanding to Uniline and shall not use or deal with the proceeds of sale in any way whatsoever until such sums have been paid.
20. The purchaser's right to on-sell the goods may be revoked at any time by Uniline and shall be automatically revoked in the event of the purchaser:
 - a) failing to pay for any goods within the time prescribed;
 - b) being declared bankrupt;
 - c) having a receiver, receiver and manager, liquidator, provisional liquidator or official manager appointed over all or any of its assets;
 - d) proposing or having approved any scheme or arrangement with creditors;
 - e) having a petition presented for the Applicant's winding up; or
 - f) having made a representation to Uniline or given to Uniline information which is untrue.

Risk

21. Risk in the goods shall pass to the purchaser:
 - a) on delivery to the purchaser, its agent or other person to whom Uniline has been authorised by the purchaser to deliver the goods and, for the avoidance of doubt, risk shall pass on delivery where delivery is in accordance with these terms and conditions; or
 - b) immediately prior to loading where the goods are being collected by the buyer, its servant or agent from Uniline's premises.

Claims

22. Any claims in respect of goods supplied shall be made in writing within thirty (30) days from the invoice date. Until any claim is accepted by Uniline the amount of any invoice shall remain payable within the time prescribed herein.

23. The purchaser acknowledges and agrees that the goods:

- a) produced/manufactured on the purchaser's request;
- b) damaged or lost in transit;
- c) ordered by Uniline specifically at the request of the purchaser;
- d) altered or damaged by the purchaser are not acceptable for return or credit and Uniline is under no obligation to accept such goods for return or to give credit to the purchaser in respect of such goods.

Limitation of Liability

24. These terms and conditions do not exclude, restrict or modify the application of any provisions of any Commonwealth, State or Territorial law which by law cannot be excluded, restricted or modified.
25. Except where the purchaser shall be taken to have acquired the goods as a consumer within the meaning of the Trade Practices Act 1974 or equivalent Commonwealth, State or Territorial legislation,
 - a) Uniline shall not be liable or responsible for any loss, damage, injury to property or persons resulting from, arising out of or in connection with the acquisition, delivery, re-supply, installation or use of the goods caused by the negligence of Uniline, its servants or agents or any other cause whatsoever;
 - b) All terms, conditions and warranties that the products shall correspond with any sample, shall be of merchantable quality or shall be reasonably fit for any purpose express or implied directly or indirectly, by common law or Commonwealth, State or Territorial laws are hereby excluded.
26. Where the purchaser shall be taken to have acquired the products as a consumer within the meaning of the Trade Practices Act 1974 or equivalent Commonwealth, State or Territorial legislation, the liability of Uniline for a breach of any term, condition or warranty referred to in the previous clause shall be limited in the absolute discretion of Uniline to one of the following:
 - a) the replacement of the goods or the supply of equivalent goods;
 - b) the repair of the goods;
 - c) the payment of the cost of replacing the goods or acquiring equivalent goods;
 - d) the payment of the cost of having the goods repaired.
27. All other conditions and warranties which might otherwise be implied by law and which may be excluded are expressly excluded.

Security

28. For the purpose of securing payment to Uniline the purchaser hereby charges all of its real and personal property (including all property subsequently acquired) whatsoever and wheresoever situated and all of its estate and interest therein in favour of Uniline with the payment of all sums of money whether present, future or contingent to which the purchaser may become liable to pay to Uniline and authorises and consents to Uniline taking all actions necessary to give effect to the security including the lodgement of a security interest on the PPS Register and a caveat upon the title of the purchaser's real property and the purchaser hereby irrevocably appoints Uniline and any person nominated by Uniline severally the attorney of the purchaser with power to execute, sign, seal and deliver (which delivery may be subject to such terms and conditions as the attorney thinks fit) and document to give effect to this security.

Severance, waiver, applicable law and jurisdiction

29. In the event that any term or provision or part of a provision cannot be given effect for any reason then the term or provision or part which cannot be given effect shall be severed and read down restrictively and the remaining terms and provisions shall remain valid and binding on Uniline and the purchaser.
30. Failure by Uniline to insist upon compliance with any of these terms does not constitute a waiver of that term and Uniline shall be entitled to insist upon compliance with all provisions of these terms at any time and no waiver of a term or provision of any contract shall be construed as a continuing waiver of the term or provision.
31. The provisions of these terms and any contract between Uniline and the purchaser shall be governed by the laws of the state of Queensland.
32. The purchaser submits to the exclusive jurisdiction of the courts of Queensland.

UNILINE GENERAL WARRANTY DOCUMENT

Uniline Australia "Uniline" warrants that its window covering materials (fabrics) and components listed below will be free from defects in materials and workmanship for the stated periods from the date of purchase, subject to the provisions of this warranty, provided they were purchased after 1st January 2014 and were:

1. Supplied by Uniline Australia.
2. Manufactured by an accredited Uniline Manufacturer.
3. Sold by an accredited Uniline Reseller.
4. Professionally installed by an accredited Uniline Installer and according to Uniline installation standard procedures.
5. The entire system supplied to the consumer is a Uniline system and not parts thereof.

This warranty is limited to the repair or replacement of the defective materials and components. Repairs will be made with like or similar parts. Uniline reserves the right to discharge its obligations under this warranty by refunding the original purchase price of the defective materials or components. Uniline reserve the right to separate the warranty, into the following four (4) categories:

1. * Hardware Component Systems – (5 Years) - A Uniline window furnishing will be made up of a number of hardware components, known as a system. Uniline reserves the right to refuse any warranty if parts of the system are not made up of genuine Uniline components.
2. Uniline Window Covering Materials (Fabrics) – (5 to 10 Years) - Uniline will warrant any window covering material which is manufactured or supplied by Uniline Australia limited for the stated warranty period.

3. Uniline accredited Motorisation – (5 Years) - Uniline will warrant any gearing mechanism or motorisation mechanism which has been supplied, tested and accredited by Uniline. These include:
 - a. Geiger gearboxes
 - b. NICE Motors

If a consumer chooses to select only part of the Uniline system, eg; a Uniline Cassia Rollbox System, but chooses another supplier's fabric, Uniline will warrant the Uniline part of the system under the standard warranty conditions of that particular part.

This Warranty Excludes:

Any condition or damage relating to, or resulting from, accidents, alterations, discoloration or fading over time, misuse, abuse, normal wear and tear, removal and/or reinstallation, failure to follow the installation or use instructions of Uniline, or force majeure including, without limitation, storm, fire, floods, cyclone's, standing water, explosions, earthquakes, vandalism, riots, acts of war, pollutants, acts of God or other occurrences beyond the control of Uniline. Installations subject to salt spray or marine influences, severe industrial or corrosive environments or internal situations subject to moisture laden air.

Shipping charges and costs for removing, disassembling, reassembling and reinstalling the materials or components.

Special Conditions

* 100% Uniline supplied components includes tubes, gearboxes, drive adapters, motor adapters, idle ends, pivot plate and pins, splines and any other specific components that are sold by Uniline.

All methods, allowances and specifications must follow the

information provided in the manufacturing and installations guides as provided by Uniline.

All sizes and installations must fall within the guidelines provided by the product specification document.

Failure to adhere to any of the above clauses will result in the voiding of all warranties.

Interpretation

This warranty shall be interpreted and applied subject to the operation of any statute applicable in Australia, the terms of which cannot be excluded by the parties, including (if applicable) relevant provisions of the Trade Practices Amendment (Australian Consumer Law) Act (No. 1) 2010 and similar State legislation. With the exception of the matters outlined in this document, all other implied terms, warranties, conditions and consequences are excluded.

Warranty Claims

Warranty claims must be made as soon as possible after discovery of the defect and, in any event, within the warranty period. Warranty claims must be accompanied by proof of payment of the full purchase price by the original purchaser.

Warranty Process

Contact the place of purchase or take the product back to the place of purchase. The place of purchase must be an accredited Uniline supplier.

Proof of purchase (a copy of the tax receipt detailing the date of the purchase, the product purchased & the place of purchase) from an accredited Uniline reseller is required for all warranty claims.

All accredited Uniline resellers can be viewed on the Uniline website.

IT'S YOUR CHOICE.

The preferred window covering system supplier to the industry.

Australia Free Call: 1800 777 331 | sales@uniline.com.au | uniline.com.au

New Zealand Free Call: 0800 700 801 | salesnz@uniline.com.au | uniline.co.nz

