

design
manufacture
supply

The preferred window covering
system supplier to the industry.

November 2016

Uniline Components List

Glissade Panel Blinds



UNILINE'S STORY

A Proud Tradition

Established over 50 years ago, Uniline has long been synonymous with providing high quality systems, components and fabrics for the wholesale and retail markets, with a large number of our products proudly Australian designed and manufactured. Our head office is located in Queensland, Australia and we also boast an extensive sales and warehousing network throughout Australia and New Zealand, giving us the power to distribute to a national customer base.

Uniline proudly offers the highest levels of innovation, quality and service in everything we do. This is why we endorse every one of our products with the coveted Uniline warranty.

Uniline's Head Office
Yatala, Queensland

Peerless Manufacturing Standard

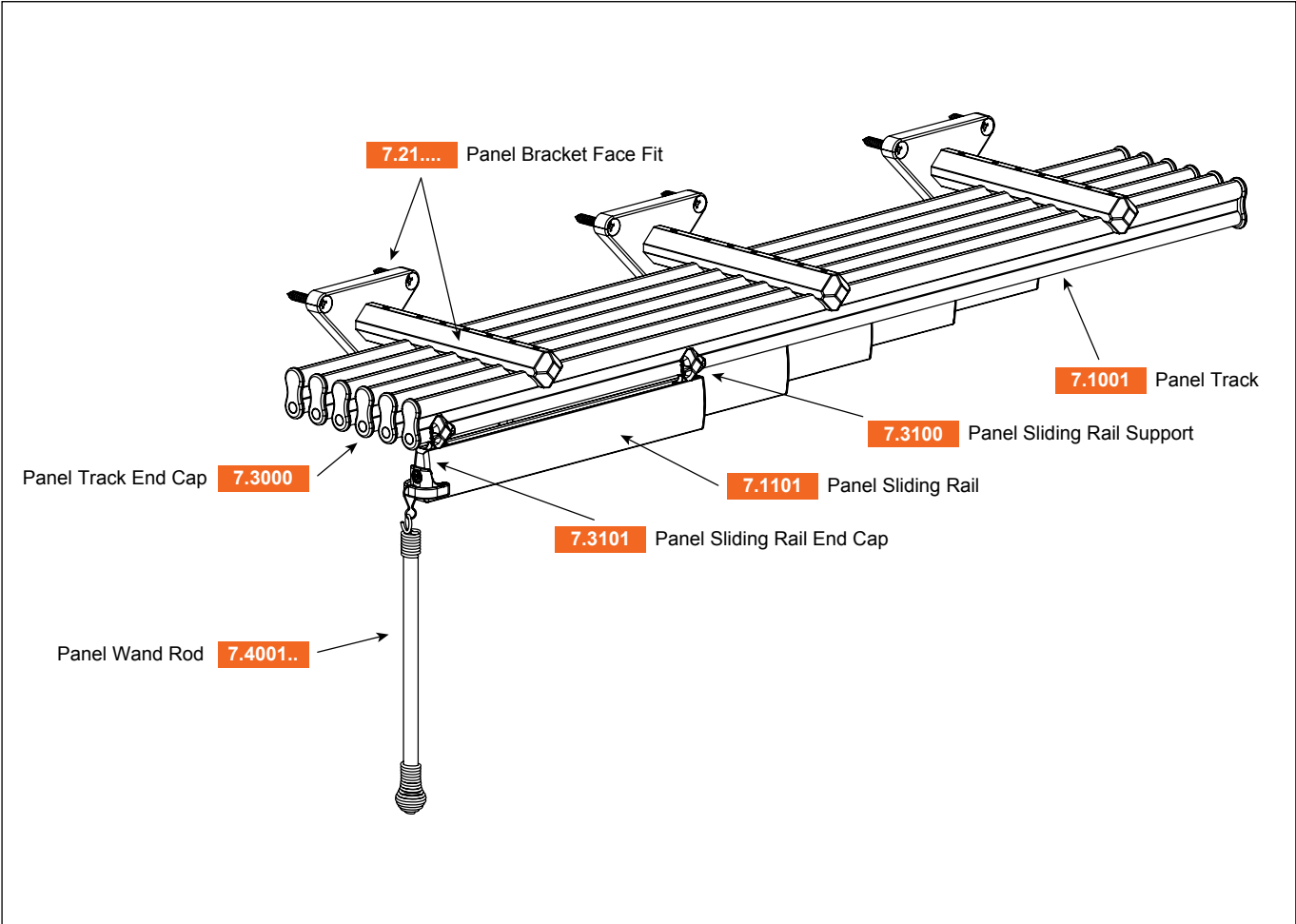
Over the decades, we have gained a reputation for our impeccable production ethic. With production facilities in Australia and New Zealand we manufacture many of our system components and fabric collections.

Each is stringently tested so it can leave the factory bearing our industry leading warranty.

Innovation Excellence

We strive to be leaders in our industry, and to be the best in everything we do, from the products we produce or acquire to the systems and processes we adopt.





GLISSADE PANEL BLINDS

5.8m Panel Track - Aluminium

Part No.	Finish	Qty	Unit Price	Pack Price
7.100100	00 Birch White	15		
7.100102	02 White	15		
7.100105	05 Ebony	15		
7.100112	12 Sterling	15		



3.6m Panel Track - Aluminium

Part No.	Finish	Qty	Unit Price	Pack Price
7.100316	Chrome	15		



Panel Track Joining Pins - Zinc Plated Steel

Part No.	Finish	Qty	Unit Price	Pack Price
7.310400		20		



5.8m Panel Sliding Rail with Velcro - Aluminium

Part No.	Finish	Qty	Unit Price	Pack Price
7.110100	00 Birch White	10		
7.110102	02 White	10		
7.110105	05 Ebony	10		
7.110112	12 Sterling	10		



3.6m Panel Sliding Rail with Velcro - Aluminium

Part No.	Finish	Qty	Unit Price	Pack Price
7.110316	Chrome	10		



Panel Bracket Face Fit 3 Track - Aluminium

Part No.	Finish	Qty	Unit Price	Pack Price
7.213100	00 Birch White	10		
7.213102	02 White	10		
7.213105	05 Ebony	10		
7.213112	12 Sterling	10		
7.213116	16 Chrome	10		



Panel Bracket Face Fit 4 Track - Aluminium

Part No.	Finish	Qty	Unit Price	Pack Price
7.214100	00 Birch White	10		
7.214102	02 White	10		
7.214105	05 Ebony	10		
7.214112	12 Sterling	10		
7.214116	16 Chrome	10		



Panel Bracket Face Fit 5 Track - Aluminium

Part No.	Finish	Qty	Unit Price	Pack Price
7.215100	00 Birch White	10		
7.215102	02 White	10		
7.215105	05 Ebony	10		
7.215112	12 Sterling	10		
7.215116	16 Chrome	10		



Panel Bracket Face Fit 6 Track - Aluminium

Part No.	Finish	Qty	Unit Price	Pack Price
7.216100	00 Birch White	10		
7.216102	02 White	10		
7.216105	05 Ebony	10		
7.216112	12 Sterling	10		
7.216116	16 Chrome	10		



Panel Bracket Internal Fit 4 Track - Aluminium

Part No.	Finish	Qty	Unit Price	Pack Price
7.223100	00 Birch White	10		
7.223102	02 White	10		
7.223105	05 Ebony	10		
7.223112	12 Sterling	10		
7.223116	16 Chrome	10		



Panel Bracket Internal Fit 4 Track - Aluminium

Part No.	Finish	Qty	Unit Price	Pack Price
7.224100	00 Birch White	10		
7.224102	02 White	10		
7.224105	05 Ebony	10		
7.224112	12 Sterling	10		
7.224116	16 Chrome	10		



GLISSADE PANEL BLINDS

Panel Bracket Internal Fit 5 Track - Aluminium

Part No.	Finish	Qty	Unit Price	Pack Price
7.225100	00 Birch White	10		
7.225102	02 White	10		
7.225105	05 Ebony	10		
7.225112	12 Sterling	10		
7.225116	16 Chrome	10		



Panel Bracket Internal Fit 6 Track - Aluminium

Part No.	Finish	Qty	Unit Price	Pack Price
7.226100	00 Birch White	10		
7.226102	02 White	10		
7.226105	05 Ebony	10		
7.226112	12 Sterling	10		
7.226116	16 Chrome	10		



Panel Bracket Triangular Mount Base - Cast

Part No.	Finish	Qty	Unit Price	Pack Price
7.217100	00 Birch White	10		
7.217102	02 White	10		
7.217105	05 Ebony	10		
7.217112	12 Sterling	10		
7.217116	16 Chrome	10		



Panel Sliding Rail Support - Plastic (Nylon)

Part No.	Finish	Qty	Unit Price	Pack Price
7.310000	00 Birch White	100		
7.310002	02 White	100		
7.310005	05 Ebony	100		
7.310012	12 Sterling	100		
7.310016	16 Chrome	100		



Panel Sliding Rail End Cap and Pin - Plastic (Polycarbonate)

Part No.	Finish	Qty	Unit Price	Pack Price
7.310100	00 Birch White	100		
7.310102	02 White	100		
7.310105	05 Ebony	100		
7.310112	12 Sterling	100		
7.310116	16 Chrome	100		



Panel Track End Cap and Pin - Plastic (ABS)

Part No.	Finish	Qty	Unit Price	Pack Price
7.300000	00 Birch White	100		
7.300002	02 White	100		
7.300005	05 Ebony	100		
7.300012	12 Sterling	100		
7.300016	16 Chrome	100		



Panel Sliding Rail Stopper - Plastic (POM)

Part No.	Finish	Qty	Unit Price	Pack Price
7.310200		100		



Panel Sliding Rail Stopper Block - Plastic (Polycarbonate)

Part No.	Finish	Qty	Unit Price	Pack Price
7.310300	Clear	100		



Panel Wand Kit - Stainless Steel and Plastic (Nylon)

Part No.	Finish	Qty	Unit Price	Pack Price
7.400000	00 Birch White	20		
7.400002	02 White	20		
7.400005	05 Ebony	20		
7.400012	12 Sterling	20		
7.400016	16 Chrome	20		



Panel Wand Rod 1.8m - Aluminium

Part No.	Finish	Qty	Unit Price	Pack Price
7.400100	00 Birch White	10		
7.400102	02 White	10		
7.400105	05 Ebony	10		
7.400112	12 Sterling	10		
7.400116	16 Chrome	10		



Panel Wand Retainer Split Draw - Steel Zinc Plated

Part No.	Finish	Qty	Unit Price	Pack Price
7.400200		20		



25m Roll of Velcro Loop (With Adhesive) - Polyester

Part No.	Finish	Qty	Unit Price	Pack Price
2.2100226	White	25		



GLISSADE PANEL BLINDS

3.6m Keyway Spline Triangular - Plastic

Part No.	Finish	Qty	Unit Price	Pack Price
4.122301	01 3mm Base	100		
4.122302	02 3.5mm Base	100		
4.122303	03 4mm Base	100		



3.6m Roman Front Batten - Aluminium

Part No.	Finish	Qty	Unit Price	Pack Price
2.413101	101 Chrome	20		
2.413107	107 Clear Anodised	20		
2.413210	210 Candlelight	20		
2.413220	220 Cotton	20		
2.413230	230 Ebony	20		
2.413320	320 Rosewood	20		
2.413330	330 Walnut	20		
2.413340	340 Cedar	20		



3.6m Roman Rear Support Batten - Powder Coated Aluminium

Part No.	Finish	Qty	Unit Price	Pack Price
2.410100	00 Birch White	20		
2.410102	02 White	20		
2.410105	05 Ebony	20		
2.410107	07 Silver Pearl	20		



Roman Batten End Cap - Plastic (POM)

Part No.	Finish	Qty	Unit Price	Pack Price
2.430100	00 Birch White	100		
2.430102	02 White	100		
2.430105	05 Ebony	100		
2.430107	07 Clear Anodised	100		



5.8m Roller Bottom Rail (Flat) - Aluminium

Part No.	Finish	Qty	Unit Price	Pack Price
4.414300	00 Birch White	10		
4.414302	02 White	10		
4.414305	05 Ebony	10		
4.414307	07 Clear Anodised	10		



3.6m Roller Bottom Rail (Flat) - Aluminium

Part No.	Finish	Qty	Unit Price	Pack Price
4.404316	Chrome	10		



End Cap (Bottom Rail) - Plastic (Polycarbonate)

Part No.		Finish	Qty	Unit Price	Pack Price
4.504000		Clear	100		



5.8m Roller Bottom Rail (Flat) 10mm Spline - Aluminium

Part No.		Finish	Qty	Unit Price	Pack Price
4.424300		00 Birch White	10		
4.424302		02 White	10		
4.424305		05 Ebony	10		
4.424307		07 Clear Anodised	10		
4.424312		12 Sterling	10		



End Cap (Bottom Rail) for 10mm Spline - Plastic (Polycarbonate)

Part No.		Finish	Qty/Pr	Unit Price	Pack Price
4.582400		00 Birch White	50		
4.582402		02 White	50		
4.582405		05 Ebony	50		
4.582412		12 Sterling	50		



Cord 3.85mm For Flat Bottom rail 3.6m - Plastic

Part No.		Finish	Qty	Unit Price	Pack Price
4.414200		Natural	100		



Allan Key - Metal

Part No.		Finish	Qty	Unit Price	Pack Price
9.182001	4mm		1		
9.182018	2mm		1		



Panel Track Assembling Tool

Part No.		Finish	Qty	Unit Price	Pack Price
9.182002			1		



Panel Track Alignment Block

Part No.		Finish	Qty	Unit Price	Pack Price
9.182003			1		



GLISSADE PANEL BLINDS

Panel Track Sliding Rail Depth Gauge

Part No.		Finish	Qty	Unit Price	Pack Price
9.182004			1		



Panel Track Hoist Block

Part No.		Finish	Qty	Unit Price	Pack Price
9.182005			2		



3.6m Spline Tape with Adhesive for 10mm spline - Plastic

Part No.		Finish	Qty	Unit Price	Pack Price
4.122005			100		



RETURN OF GOODS POLICY

To lodge a claim for a credit, the following steps need to be followed:

1. Contact your Uniline State Office to advise the basis of your claim – e.g. faulty goods; damaged in transit; incorrect item supplied, etc., - and the invoice number that the claim will relate to.
2. You will then be given a Credit Return Number and arrangements for the physical return of the goods will be advised. The Credit Return Number must be written on the goods being returned otherwise they will not be accepted by our warehouse staff.

Please Note:

- Any claim for credit must be lodged with Uniline within 30 days of the relevant Invoice date - No credit will be considered after 30 days.
 - All goods must be returned in their original packaging so as not to damage the goods. Any damage of the goods will be deducted from the original claim accordingly.
 - Goods must not be returned at any time prior to the Credit Return Number being issued by Uniline. Any items returned without a Credit Return Number clearly marked will not be accepted by any Uniline warehouse and will be returned at the customer's expense.
 - Uniline reserves the right to inspect the goods on their return to Uniline prior to approval of a credit.
- Only items that relate to 1 invoice number are to be put on any form – ie. no multiple invoice numbers per form or Credit Return Number.
 - Until all the above processes have been completed, a credit cannot be raised or issued.
 - Any Credit request by a customer for goods ordered incorrectly, not required or over ordered by the customer, will incur a 25% restocking and handling fee, and must be within 30 days of invoice date. Return of these goods, if approved, must be at the customer's expense.

TERMS AND CONDITION OF SALE

1. In these terms and conditions:

- a) "Uniline" means Uniline Australia Limited;
- b) "Purchaser" means the purchaser of the goods who is specified as the "applicant" in the Credit Account Application or the purchaser named in the invoice as the case may be;
- c) "goods" means all products of whatever nature and, if any, services provided to the purchaser from time to time;
- d) "PPS Act" means Personal Property Securities Act 2009 and includes the Personal Property Securities Regulations 2010 and any amendments or re-enactments of the PPS Act or the Regulations.
- e) "PPS Register" means Personal Property Securities Register established under the PPS Act.

Terms and Conditions for supply of goods

2. The terms and conditions for the supply of goods by Uniline to the purchaser:
 - a) shall be as set out herein unless amended by Uniline by notice in writing to the purchaser in which case the placing of an order by the purchaser with Uniline following receipt of such notice shall constitute acceptance by the purchaser of the terms and conditions as amended in respect of all future supply of goods by Uniline to the purchaser; and
 - b) shall not be varied by the wording of any purchaser's order form, notice of acceptance or otherwise unless such a variation is expressly agreed in writing for and on behalf of Uniline by its duly authorised representative.
3. To the extent of any inconsistency between these terms and conditions and the terms and conditions of the purchaser's order these terms and conditions shall prevail.

Quotations

4. No quotation by Uniline shall constitute an offer. Acceptance by a purchaser of a quotation by Uniline shall not be binding on Uniline unless and until Uniline issues written confirmation to the purchaser.

Price

5. The prices for products supplied shall be the prices current as at the date of dispatch by Uniline for delivery to the purchaser. Prices shall be subject to change without notice.

Terms

6. Goods purchased shall be paid for prior to delivery unless Uniline in its sole discretion agrees to sell the goods on credit to the purchaser, in which case the thirty (30) day terms of the Credit Application will apply.
7. All payments are due and payable to Uniline PO Box 6188 Yatala DC, Qld 4207 or 2 Computer Road, Yatala, Qld, 4207. Payments received by Uniline from the purchaser will be credited towards payment of the longest outstanding invoice/s.
8. Customers shall not be entitled to withhold payment or part payment of any account by reason of any account query, dispute or set off.
9. Customers having overdue accounts will be precluded from participating in any special deals, discounts, rebates and all other incentive programs until their accounts are no longer overdue.

Delivery

10. Uniline is authorised by the purchaser to deliver goods to the address nominated by the purchaser at any time within a practical time from receipt of the purchaser's order, and to leave such goods at that address notwithstanding the absence of any representative of the purchaser at the delivery site. Under no circumstances shall Uniline be liable on any basis whatsoever for loss suffered by the purchaser following delivery.
11. Uniline's delivery records shall be prima facie proof of delivery of the goods in good order and of the quality and description stated therein and shall be evidence of receipt by the purchaser notwithstanding the absence of any representative of the purchaser at the delivery address. "Written" acknowledgement of receipt of the goods given by a person at the delivery address shall be conclusive evidence of delivery of the goods in good order and of the quality and description stated in Uniline's delivery records.
12. Delivery times made known by Uniline or its representative to the purchaser, if any, are estimates only and the purchaser acknowledges that Uniline has no obligation to deliver goods at such times or at all and Uniline shall not be liable for any loss, damage or delay sustained by the purchaser or any other person arising from the timing of delivery or its failure to deliver.

PPS ACT 2009

13. The Customer agrees that Uniline will have a Purchase Money Security Interest (PMSI) (as defined in the PPS Act) in any product or equipment supplied to the customer.
14. The parties agree to 'contract out' under section 115 of the PPS Act in respect of goods that are not used predominantly for personal, domestic or household purposes:

- a) Sections 95 (notice of removal of accession), 96 (retention of accession), 118 (enforcing security interest in accordance with land law decisions), 121(4) (enforcement of liquid assets), 125 (obligations to dispose of or retain collateral), 130 (notice of disposal to the extent it requires notice to customer), 132(3)(d) (contents of statement after disposal), 132 (4) (statement of account if no disposal), 135 (notice of retention)
- b) The customer waives its rights to receive a verification statement in relation to registration events in respect of commercial property under section 157
- c) Notwithstanding section 275, the parties further agree to keep confidential the contents of these Terms and related material.

Title

15. Title to and property in the goods supplied and delivered by Uniline to the Purchaser shall not pass until all goods delivered by Uniline to the purchaser and all debts owing by the Purchaser to Uniline no matter on what grounds have been paid for in full or the goods are delivered by the purchaser to a sub-purchaser thereof pursuant to a bona fide transaction in the normal course of business of the purchaser. Any payment made by or on behalf of a purchaser which is later avoided pursuant to any statutory provision shall be deemed not to discharge the purchaser's indebtedness and, in such event, the purchaser and Uniline are to be restored to rights which each respectively would have had if such payment had not been made.
16. Until title to and property in the goods shall pass in accordance with these terms and conditions the purchaser shall hold such goods as bailee for Uniline and shall store such goods in a proper and safe manner and in such a way as to be readily identifiable as the property of the seller.
17. The purchaser hereby irrevocably authorises the representatives of Uniline to enter upon the purchaser's premises where the goods are stored, or are thought by Uniline to be stored, for the purpose of repossessing them and subsequently reselling them.
18. It is agreed between the purchaser and Uniline that where Uniline enters the premises of the purchaser to take possession of the goods and it is not possible to otherwise identify which goods in the possession of the purchaser remain owned by Uniline, the determination of ownership will be determined on the presumption that the purchaser has sold goods purchased from Uniline in the same sequence as the purchaser has taken delivery of goods from Uniline which presumption is irrebuttable.
19. To the extent that title in the goods has not passed, the purchaser shall be entitled to agree to sell the goods in the ordinary course of its business as principal vis-à-vis the sub-purchaser and not as agent for Uniline. Uniline, however, shall be legally and beneficially entitled to the proceeds of sale and the purchaser shall pay such proceeds of sale into a separate account or otherwise shall ensure that all such proceeds of sale are kept by or on behalf of the purchaser in a separate and identifiable form. In particular but without prejudice to the generality of the foregoing the purchaser shall not pay the proceeds of sale into any bank account which is overdrawn. Further, forthwith upon receipt of the proceeds of sale the purchaser shall pay to Uniline any of the aforesaid sums outstanding to Uniline and shall not use or deal with the proceeds of sale in any way whatsoever until such sums have been paid.
20. The purchaser's right to on-sell the goods may be revoked at any time by Uniline and shall be automatically revoked in the event of the purchaser:
 - a) failing to pay for any goods within the time prescribed;
 - b) being declared bankrupt;
 - c) having a receiver, receiver and manager, liquidator, provisional liquidator or official manager appointed over all or any of its assets;
 - d) proposing or having approved any scheme or arrangement with creditors;
 - e) having a petition presented for the Applicant's winding up; or
 - f) having made a representation to Uniline or given to Uniline information which is untrue.

Risk

21. Risk in the goods shall pass to the purchaser:
 - a) on delivery to the purchaser, its agent or other person to whom Uniline has been authorised by the purchaser to deliver the goods and, for the avoidance of doubt, risk shall pass on delivery where delivery is in accordance with these terms and conditions; or
 - b) immediately prior to loading where the goods are being collected by the buyer, its servant or agent from Uniline's premises.

Claims

22. Any claims in respect of goods supplied shall be made in writing within thirty (30) days from the invoice date. Until any claim is accepted by Uniline the amount of any invoice shall remain payable within the time prescribed herein.

23. The purchaser acknowledges and agrees that the goods:

- a) produced/manufactured on the purchaser's request;
- b) damaged or lost in transit;
- c) ordered by Uniline specifically at the request of the purchaser;
- d) altered or damaged by the purchaser are not acceptable for return or credit and Uniline is under no obligation to accept such goods for return or to give credit to the purchaser in respect of such goods.

Limitation of Liability

24. These terms and conditions do not exclude, restrict or modify the application of any provisions of any Commonwealth, State or Territorial law which by law cannot be excluded, restricted or modified.
25. Except where the purchaser shall be taken to have acquired the goods as a consumer within the meaning of the Trade Practices Act 1974 or equivalent Commonwealth, State or Territorial legislation,
 - a) Uniline shall not be liable or responsible for any loss, damage, injury to property or persons resulting from, arising out of or in connection with the acquisition, delivery, re-supply, installation or use of the goods caused by the negligence of Uniline, its servants or agents or any other cause whatsoever;
 - b) All terms, conditions and warranties that the products shall correspond with any sample, shall be of merchantable quality or shall be reasonably fit for any purpose express or implied directly or indirectly, by common law or Commonwealth, State or Territorial laws are hereby excluded.
26. Where the purchaser shall be taken to have acquired the products as a consumer within the meaning of the Trade Practices Act 1974 or equivalent Commonwealth, State or Territorial legislation, the liability of Uniline for a breach of any term, condition or warranty referred to in the previous clause shall be limited in the absolute discretion of Uniline to one of the following:
 - a) the replacement of the goods or the supply of equivalent goods;
 - b) the repair of the goods;
 - c) the payment of the cost of replacing the goods or acquiring equivalent goods;
 - d) the payment of the cost of having the goods repaired.
27. All other conditions and warranties which might otherwise be implied by law and which may be excluded are expressly excluded.

Security

28. For the purpose of securing payment to Uniline the purchaser hereby charges all of its real and personal property (including all property subsequently acquired) whatsoever and wheresoever situated and all of its estate and interest therein in favour of Uniline with the payment of all sums of money whether present, future or contingent to which the purchaser may become liable to pay to Uniline and authorises and consents to Uniline taking all actions necessary to give effect to the security including the lodgement of a security interest on the PPS Register and a caveat upon the title of the purchaser's real property and the purchaser hereby irrevocably appoints Uniline and any person nominated by Uniline severally the attorney of the purchaser with power to execute, sign, seal and deliver (which delivery may be subject to such terms and conditions as the attorney thinks fit) and document to give effect to this security.

Severance, waiver, applicable law and jurisdiction

29. In the event that any term or provision or part of a provision cannot be given effect for any reason then the term or provision or part which cannot be given effect shall be severed and read down restrictively and the remaining terms and provisions shall remain valid and binding on Uniline and the purchaser.
30. Failure by Uniline to insist upon compliance with any of these terms does not constitute a waiver of that term and Uniline shall be entitled to insist upon compliance with all provisions of these terms at any time and no waiver of a term or provision of any contract shall be construed as a continuing waiver of the term or provision.
31. The provisions of these terms and any contract between Uniline and the purchaser shall be governed by the laws of the state of Queensland.
32. The purchaser submits to the exclusive jurisdiction of the courts of Queensland.

UNILINE GENERAL WARRANTY DOCUMENT

Uniline Australia "Uniline" warrants that its window covering materials (fabrics) and components listed below will be free from defects in materials and workmanship for the stated periods from the date of purchase, subject to the provisions of this warranty, provided they were purchased after 1st January 2014 and were:

1. Supplied by Uniline Australia.
2. Manufactured by an accredited Uniline Manufacturer.
3. Sold by an accredited Uniline Reseller.
4. Professionally installed by an accredited Uniline Installer and according to Uniline installation standard procedures.
5. The entire system supplied to the consumer is a Uniline system and not parts thereof.

This warranty is limited to the repair or replacement of the defective materials and components. Repairs will be made with like or similar parts. Uniline reserves the right to discharge its obligations under this warranty by refunding the original purchase price of the defective materials or components. Uniline reserve the right to separate the warranty, into the following four (4) categories:

1. * Hardware Component Systems – (5 Years) - A Uniline window furnishing will be made up of a number of hardware components, known as a system. Uniline reserves the right to refuse any warranty if parts of the system are not made up of genuine Uniline components.
2. Uniline Window Covering Materials (Fabrics) – (5 to 10 Years) - Uniline will warrant any window covering material which is manufactured or supplied by Uniline Australia limited for the stated warranty period.

3. Uniline accredited Motorisation – (5 Years) - Uniline will warrant any gearing mechanism or motorisation mechanism which has been supplied, tested and accredited by Uniline. These include:
 - a. Geiger gearboxes
 - b. NICE Motors

If a consumer chooses to select only part of the Uniline system, eg; a Uniline Cassia Rollbox System, but chooses another supplier's fabric, Uniline will warrant the Uniline part of the system under the standard warranty conditions of that particular part.

This Warranty Excludes:

Any condition or damage relating to, or resulting from, accidents, alterations, discoloration or fading over time, misuse, abuse, normal wear and tear, removal and/or reinstallation, failure to follow the installation or use instructions of Uniline, or force majeure including, without limitation, storm, fire, floods, cyclone's, standing water, explosions, earthquakes, vandalism, riots, acts of war, pollutants, acts of God or other occurrences beyond the control of Uniline. Installations subject to salt spray or marine influences, severe industrial or corrosive environments or internal situations subject to moisture laden air.

Shipping charges and costs for removing, disassembling, reassembling and reinstalling the materials or components.

Special Conditions

* 100% Uniline supplied components includes tubes, gearboxes, drive adapters, motor adapters, idle ends, pivot plate and pins, splines and any other specific components that are sold by Uniline.

All methods, allowances and specifications must follow the

information provided in the manufacturing and installations guides as provided by Uniline.

All sizes and installations must fall within the guidelines provided by the product specification document.

Failure to adhere to any of the above clauses will result in the voiding of all warranties.

Interpretation

This warranty shall be interpreted and applied subject to the operation of any statute applicable in Australia, the terms of which cannot be excluded by the parties, including (if applicable) relevant provisions of the Trade Practices Amendment (Australian Consumer Law) Act (No. 1) 2010 and similar State legislation. With the exception of the matters outlined in this document, all other implied terms, warranties, conditions and consequences are excluded.

Warranty Claims

Warranty claims must be made as soon as possible after discovery of the defect and, in any event, within the warranty period. Warranty claims must be accompanied by proof of payment of the full purchase price by the original purchaser.

Warranty Process

Contact the place of purchase or take the product back to the place of purchase. The place of purchase must be an accredited Uniline supplier.

Proof of purchase (a copy of the tax receipt detailing the date of the purchase, the product purchased & the place of purchase) from an accredited Uniline reseller is required for all warranty claims.

All accredited Uniline resellers can be viewed on the Uniline website.

IT'S YOUR CHOICE.

The preferred window covering system supplier to the industry.

Australia Free Call: 1800 777 331 | sales@uniline.com.au | uniline.com.au

New Zealand Free Call: 0800 700 801 | salesnz@uniline.com.au | uniline.co.nz

