

design
manufacture
supply

The preferred window covering
system supplier to the industry.

November 2016

Uniline Components List

Venetian Blinds



UNILINE'S STORY

A Proud Tradition

Established over 50 years ago, Uniline has long been synonymous with providing high quality systems, components and fabrics for the wholesale and retail markets, with a large number of our products proudly Australian designed and manufactured. Our head office is located in Queensland, Australia and we also boast an extensive sales and warehousing network throughout Australia and New Zealand, giving us the power to distribute to a national customer base.

Uniline proudly offers the highest levels of innovation, quality and service in everything we do. This is why we endorse every one of our products with the coveted Uniline warranty.

Uniline's Head Office
Yatala, Queensland

Peerless Manufacturing Standard

Over the decades, we have gained a reputation for our impeccable production ethic. With production facilities in Australia and New Zealand we manufacture many of our system components and fabric collections.

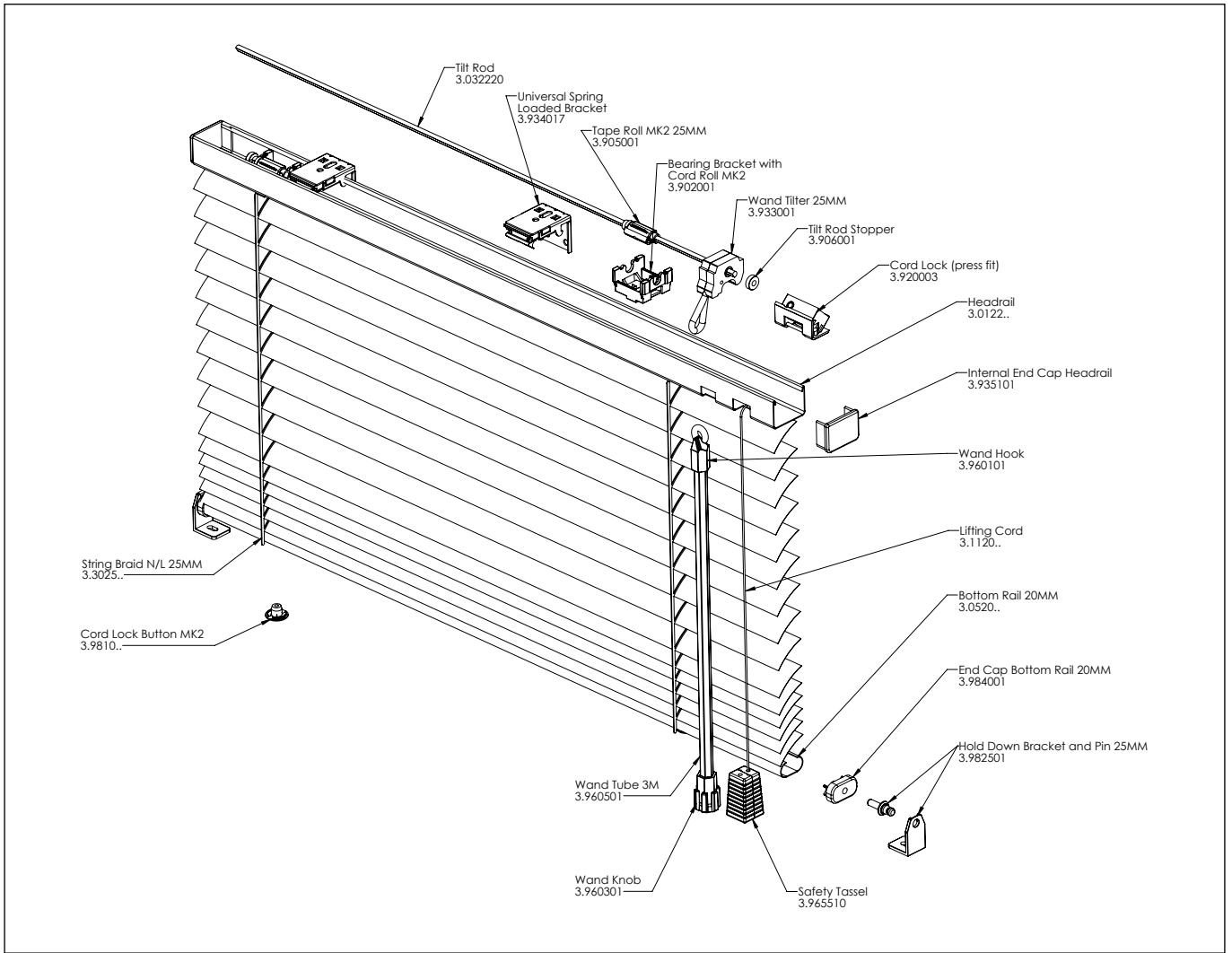
Each is stringently tested so it can leave the factory bearing our industry leading warranty.

Innovation Excellence

We strive to be leaders in our industry, and to be the best in everything we do, from the products we produce or acquire to the systems and processes we adopt.



VENETIAN 25mm SYSTEM - DIAGRAM

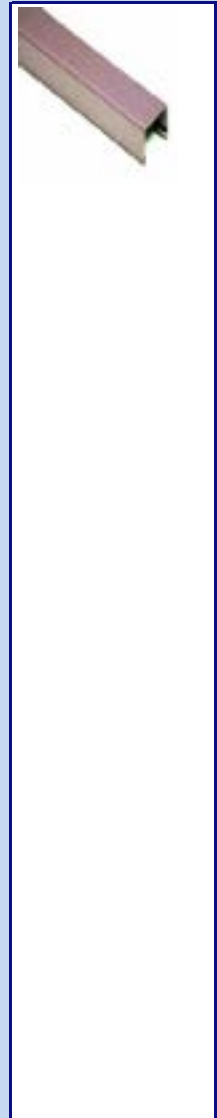


VENETIAN 25mm SYSTEM

VENETIAN 25mm SYSTEM

5.0m x 25mm Headrail - Zincalume/Oven-baked Polyester Finish

Part No.	Finish	Quantity	Unit Price	Pack Price
3.0122100	Alabaster	20		
3.0122136	Ebony	20		
3.0122140	Bright Sterling	20		
3.0122141	Bright Silver	20		
3.0122143	Bright Grey	20		
3.0122146	Bright Blue	20		
3.0122150	Bright Steel	20		
3.0122175	Chinchilla	20		
3.0122177	Cotton	20		
3.0122201	Fawn	20		
3.0122216	Grey Sheen	20		
3.0122250	Indigo	20		
3.0122260	Ivory	20		
3.0122352	Shadow Grey	20		
3.0122354	Stratford Blue	20		
3.0122361	Slate	20		
3.0122385	Cinnamon	20		
3.0122387	Latte	20		
3.0122389	Mocca	20		
3.0122397	Light Bison	20		
3.0122400	White Satin	20		
3.0122402	White Gloss	20		
3.0122473	Earthen	20		
3.0122474	Sesame	20		
3.0122475	Warm White	20		
3.0122478	Bison	20		
3.0122480	Arctic Breeze	20		
3.0122486	Natural	20		
3.0122487	Seal	20		
3.0122491	Willow	20		



4.0m x 25mm Tilt Rod - Galvanised Wire

Part No.	Finish	Quantity	Unit Price	Pack Price
3.032220	Mill	100		



5.0m x 20mm Bottom Rail - Zincalume/Oven-baked Polyester Finish

Part No.	Finish	Quantity	Unit Price	Pack Price
3.0520100	Alabaster	20		
3.0520136	Ebony	20		
3.0520140	Bright Sterling	20		
3.0520141	Bright Silver	20		
3.0520143	Bright Grey	20		
3.0520146	Bright Blue	20		
3.0520150	Bright Steel	20		
3.0520175	Chinchilla	20		
3.0520177	Cotton	20		
3.0520201	Fawn	20		
3.0520216	Grey Sheen	20		
3.0520250	Indigo	20		
3.0520260	Ivory	20		
3.0520352	Shadow Grey	20		
3.0520354	Stratford Blue	20		
3.0520361	Slate	20		
3.0520385	Cinnamon	20		
3.0520387	Latte	20		
3.0520389	Mocca	20		
3.0520397	Light Bison	20		
3.0520400	White Satin	20		
3.0520402	White Gloss	20		
3.0520473	Earthen	20		
3.0520474	Sesame	20		
3.0520475	Warm White	20		
3.0520478	Bison	20		
3.0520480	Arctic Breeze	20		
3.0520486	Natural	20		
3.0520487	Seal	20		
3.0520491	Willow	20		



VENETIAN 25mm SYSTEM

600m Roll of Lifting Cord 1.4mm - Polyester

Part No.	Finish	Quantity	Unit Price	Pack Price
3.1120110	Artic White	600		
3.1120133	Ebony	600		
3.1120138	Blue	600		
3.1120180	Distant Haze	600		
3.1120201	Fawn	600		
3.1120214	Gulf Blue	600		
3.1120216	Grey Sheen	600		
3.1120352	Shadow Grey	600		
3.1120361	Slate	600		
3.1120389	Mocca	600		
3.1120397	Light Bison	600		
3.1120400	White	600		



400m Roll of String Braid 25mm N/L/L - Polyester

Part No.	Finish	Quantity	Unit Price	Pack Price
3.3025110	Arctic White	400		
3.3025133	Ebony	400		
3.3025138	Blue	400		
3.3025180	Distant Haze	400		
3.3025201	Fawn	400		
3.3025214	Gulf Blue	400		
3.3025216	Grey Sheen	400		
3.3025352	Shadow Grey	400		
3.3025361	Slate	400		
3.3025389	Mocca	400		
3.3025397	Chino	400		
3.3025400	White	400		



25mm Slat - Aluminium

Part No.		Finish	Quantity	Unit Price	Pack Price
3.5253100		Alabaster	1500		
3.5253136		Ebony	1500		
3.5253140		Bright Sterling	1500		
3.5253141		Bright Silver	1500		
3.5253143		Bright Grey	1500		
3.5253146		Bright Blue	1500		
3.5253150		Bright Steel	1500		
3.5253175		Chinchilla	1500		
3.5253177		Cotton	1500		
3.5253201		Fawn	1500		
3.5253216		Grey Sheen	1500		
3.5253250		Indigo	1500		
3.5253260		Ivory	1500		
3.5253270		Light Alabaster	1500		
3.5253352		Shadow Grey	1500		
3.5253354		Stratford Blue	1500		
3.5253361		Slate	1500		
3.5253385		Cinnamon	1500		
3.5253387		Latte	1500		
3.5253389		Mocca	1500		
3.5253397		Light Bison	1500		
3.5253400		White Satin	1500		
3.5253402		White Gloss	1500		
3.5253404		White Snow	1500		
3.5253473		Earthen	1500		
3.5253474		Sesame	1500		
3.5253475		Warm White	1500		
3.5253478		Bison	1500		
3.5253480		Arctic Breeze	1500		
3.5253486		Natural	1500		
3.5253487		Seal	1500		
3.5253491		Willow	1500		



Bearing Bracket - Plastic (Polypropylene)

Part No.		Finish	Quantity	Unit Price	Pack Price
3.901801	Without Cord Roll	Natural	750		
3.902201	With Cord Roll	Natural	750		



Bearing Bracket MK2 - Plastic (Polypropylene)

Part No.		Finish	Quantity	Unit Price	Pack Price
3.901001	Without Cord Roll	Natural	1000		
3.902001	With Cord Roll	Natural	1000		



VENETIAN 25mm SYSTEM

25mm Tape Roll - Plastic (Polypropylene)

Part No.		Finish	Quantity	Unit Price	Pack Price
3.905001	MK2	Natural	1000		
3.905701		Natural	750		
3.905901	Special	Natural	1000		



Stopper for Venetian Tilt Rod - Plastic (EVA)

Part No.		Finish	Quantity	Unit Price	Pack Price
3.906001		Natural	500		



Cord Brackets MK3 - Steel Baked Polyester

Part No.		Finish	Quantity	Unit Price	Pack Price
3.917720			1000		



Cord Lock, Press Fit - Plastic (Polycarbonate) with Brass Rollers and Stainless Steel insert

Part No.		Finish	Quantity	Unit Price	Pack Price
3.920003		Clear	100		



25mm Wand Tilter - Plastic (Polycarbonate)

Part No.		Finish	Quantity	Unit Price	Pack Price
3.933001		Clear	150		



Spring Loaded Bracket - Plastic (Polycarbonate) with Zinc Plated Steel

Part No.		Finish	Quantity	Unit Price	Pack Price
3.934017		Zinc/Clear	200		



End Cap Head Rail - Plastic PVC

Part No.		Finish	Quantity	Unit Price	Pack Price
3.935001		Clear	200		



Internal Head Rail End Cap - Plastic (Polycarbonate)

Part No.		Finish	Quantity	Unit Price	Pack Price
3.935101		Clear	200		



25mm End Mount Bracket - Plastic (Polycarbonate)

Part No.		Finish	Quantity	Unit Price	Pack Price
3.937301		Clear	100		



25mm Tape Spacer MK2 - Plastic (Polycarbonate)

Part No.		Finish	Quantity	Unit Price	Pack Price
3.952501		Clear	500		



Wand Hook - Plastic (Polycarbonate)

Part No.		Finish	Quantity	Unit Price	Pack Price
3.960101		Clear	100		



Wand knob - Plastic (Polycarbonate)

Part No.		Finish	Quantity	Unit Price	Pack Price
3.960301		Clear	150		



Cord Cleat (Includes Screws) - Plastic (Polycarbonate)

Part No.		Finish	Quantity	Unit Price	Pack Price
3.960402		Clear	50		



3m Wand Tube - Plastic (Polycarbonate)

Part No.		Finish	Quantity	Unit Price	Pack Price
3.960501		Clear	50		



Wand & Hook - Plastic (Polycarbonate)

Part No.		Finish	Quantity	Unit Price	Pack Price
3.960601	500mm NS10	Clear	50		
3.960701	750mm	Clear	50		
3.961001	1000mm	Clear	50		
3.961201	1250mm	Clear	50		
3.961501	1500mm	Clear	50		



Safety Tassel (for use with 2, 3 or 4 cords) - Plastic (Polypropylene)

Part No.		Finish	Quantity	Unit Price	Pack Price
3.965510		Natural	500		
3.965516		Charcoal	100		



VENETIAN 25mm SYSTEM

Tape Lock Button MK2 - Plastic (HDPE)

Part No.		Finish	Quantity	Unit Price	Pack Price
3.981001		Natural	500		
3.9810400		White	500		



25mm Hold Down Bracket & Pin - Plastic (Polycarbonate)

Part No.		Finish	Quantity	Unit Price	Pack Price
3.982501		Clear	200		



Pins for Hold Down Bracket - Plastic (Polycarbonate)

Part No.		Finish	Quantity	Unit Price	Pack Price
3.980001		Clear	200		



20mm End Cap for Bottom Rail - Plastic (Polycarbonate)

Part No.		Finish	Quantity	Unit Price	Pack Price
3.984001		Clear	400		



Screw 5g x 3/4 Inch CSK C/R (For Installation Brackets) - Zinc Coated Steel

Part No.		Finish	Quantity	Unit Price	Pack Price
9.191520	NS10	Zinc	1000		



VENETIAN 50mm SYSTEM

5.0m 50mm Headrail - Aluminium/Powder Coated

Part No.		Finish	Quantity	Unit Price	Pack Price
3.605002		02 White	12		
3.605004		04 Brown	12		
3.605036		36 Caramel	12		



5.0m 50mm Tilt Rod - Aluminium

Part No.		Finish	Quantity	Unit Price	Pack Price
3.655006		Mill	12		



Bearing Bracket & Tape Drum C/Tape) - Plastic (POM) (Nylon)

Part No.		Finish	Quantity	Unit Price	Pack Price
3.700101		Natural	100		



50mm Bearing Bracket & Tape Drum - Plastic (POM) (Nylon)

Part No.		Finish	Quantity	Unit Price	Pack Price
3.700126		Natural	100		



50mm Swivel Cord Lock - Zinc Coated

Part No.		Finish	Quantity	Unit Price	Pack Price
3.706002	To suit 2.0mm cord	Metal	100		
3.706652	To suit 2.2mm cord	Metal	100		



50mm Tilter MK3 - Plastic (POM)/Cast Aluminium

Part No.		Finish	Quantity	Unit Price	Pack Price
3.707352		Mill	100		



50mm Stopper for Tilt Rod - Plastic (EVA)

Part No.		Finish	Quantity	Unit Price	Pack Price
3.708801		Natural	400		



Return End Pelmet Bracket 2 Piece - Zinc Coated Steel

Part No.		Finish	Quantity	Unit Price	Pack Price
3.711226		Zinc	100		



VENETIAN 50mm SYSTEM

50mm End Mount Bracket - Powder Coated Steel

Part No.	Finish	Quantity	Unit Price	Pack Price
3.712102	02 White	20		
3.712104	04 Brown	20		
3.712136	36 Caramel	20		



50mm Center Support Bracket - Powder Coated Steel

Part No.	Finish	Quantity	Unit Price	Pack Price
3.715102	02 White	20		
3.715104	04 Brown	20		
3.715136	36 Caramel	20		



500m 2.2mm Lifting Cord Braided - Polyester

Part No.	Finish	Quantity	Unit Price	Pack Price
3.7320291	291 Mahogany	500		
3.7320311	311 Off White	500		
3.7320321	321 Peach	500		
3.7320331	331 Pine	500		
3.7320377	377 Terracotta	500		
3.7320400	400 White	500		



200m 50mm String Braid - Polyester

Part No.	Finish	Quantity	Unit Price	Pack Price
3.7440291	291 Mahogany	200		
3.7440311	311 Off White	200		
3.7440331	331 Pine	200		
3.7440377	377 Terracotta	200		
3.7440400	400 White	200		



200m 66mm String Braid - Polyester

Part No.	Finish	Quantity	Unit Price	Pack Price
3.7441291	291 Mahogany	200		
3.7441377	377 Terracotta	200		
3.7441400	400 White	200		



Pin (For Holding Down Spring) - Nickel Plated Steel

Part No.	Finish	Quantity	Unit Price	Pack Price
3.761015	Nickel	100		



50mm Hold Down Bracket and Pin - Nickel Plated Steel

Part No.		Finish	Quantity	Unit Price	Pack Price
3.765016		Silver	100		



Cord Brackets MK3 - Steel Baked Polyester

Part No.		Finish	Quantity	Unit Price	Pack Price
3.917720			1000		



Safety Tassel (for use with 2, 3 or 4 cords) - Plastic (Polypropylene)

Part No.		Finish	Quantity	Unit Price	Pack Price
3.965510		Natural	500		
3.965516		Charcoal	100		



Screw/Pan Head (For 50mm Hold Down Bracket) - Zinc Coated Steel

Part No.		Finish	Quantity	Unit Price	Pack Price
9.191616	NS10	Zinc	200		



VENETIAN DOUBLE GLAZED SYSTEM

VENETIAN DOUBLE GLAZED

Control Knob - Plastic (ABS)

Part No.		Finish	Quantity	Unit Price	Pack Price
3.801005		Ebony	100		



Flange - Plastic (ABS)

Part No.		Finish	Quantity	Unit Price	Pack Price
3.801205		Ebony	100		



Saddle - Plastic (ABS)

Part No.		Finish	Quantity	Unit Price	Pack Price
3.801405		Ebony	100		



Cleat - Plastic (ABS)

Part No.		Finish	Quantity	Unit Price	Pack Price
3.801605		Ebony	100		



Ring (for Cord) - Nickel Plated Steel

Part No.		Finish	Quantity	Unit Price	Pack Price
3.801841		Chrome	100		



Control Knob Assembly - Plastic (ABS)/Plastic Coated Steel Wire/Brass Fittings

Part No.		Finish	Quantity	Unit Price	Pack Price
3.801905	80mm	Ebony	25		
3.802005	155mm	Ebony	25		
3.802105	195mm	Ebony	25		



Cable Allen Key Control - Plastic (ABS)/Plastic Coated Steel Wire/Brass Fittings

Part No.		Finish	Quantity	Unit Price	Pack Price
3.802205		Ebony	1		



Top Cable - Plastic Coated Steel Wire/Brass Fittings

Part No.		Finish	Quantity	Unit Price	Pack Price
3.802602	80mm Short	White	100		
3.802702	155mm Standard		100		



VENETIAN DOUBLE GLAZED SYSTEM

Bottom Cable - Plastic Coated Steel Wire/Brass Fittings

Part No.		Finish	Quantity	Unit Price	Pack Price
3.802802	80mm Cable Short	White	100		
3.802902	155mm Standard		100		
3.803002	195mm Long NS10		100		



Easy Fit Bracket - Stainless Steel

Part No.		Finish	Quantity	Unit Price	Pack Price
3.934100	NS5		200		



Screw M3x8 (For Bottom Cable) - Stainless Steel

Part No.		Finish	Quantity	Unit Price	Pack Price
9.190310	NS10	Zinc	100		



Double Glazed End Cord Guide - Steel

Part No.		Finish	Quantity	Unit Price	Pack Price
3.801826		Zinc	100		



COMMON COMPONENTS

Safety Warning Sticker for Packaging

Part No.		Finish	Quantity	Unit Price	Pack Price
9.223151			1000		



Safety Warning Tag

Part No.		Finish	Quantity	Unit Price	Pack Price
9.223158	Without Tie		500		
9.223159	With Tie		500		



Venetian Installation Instructions

Part No.		Finish	Quantity	Unit Price	Pack Price
9.205642			200		



Safety Identification Tags

Part No.		Finish	Quantity	Unit Price	Pack Price
9.223160	Without Tie		500		
9.223161	With Tie		500		



RETURN OF GOODS POLICY

To lodge a claim for a credit, the following steps need to be followed:

1. Contact your Uniline State Office to advise the basis of your claim – e.g. faulty goods; damaged in transit; incorrect item supplied, etc., - and the invoice number that the claim will relate to.
2. You will then be given a Credit Return Number and arrangements for the physical return of the goods will be advised. The Credit Return Number must be written on the goods being returned otherwise they will not be accepted by our warehouse staff.

Please Note:

- Any claim for credit must be lodged with Uniline within 30 days of the relevant Invoice date - No credit will be considered after 30 days.
 - All goods must be returned in their original packaging so as not to damage the goods. Any damage of the goods will be deducted from the original claim accordingly.
 - Goods must not be returned at any time prior to the Credit Return Number being issued by Uniline. Any items returned without a Credit Return Number clearly marked will not be accepted by any Uniline warehouse and will be returned at the customer's expense.
 - Uniline reserves the right to inspect the goods on their return to Uniline prior to approval of a credit.
- Only items that relate to 1 invoice number are to be put on any form – ie. no multiple invoice numbers per form or Credit Return Number.
 - Until all the above processes have been completed, a credit cannot be raised or issued.
 - Any Credit request by a customer for goods ordered incorrectly, not required or over ordered by the customer, will incur a 25% restocking and handling fee, and must be within 30 days of invoice date. Return of these goods, if approved, must be at the customer's expense.

TERMS AND CONDITION OF SALE

1. In these terms and conditions:

- a) "Uniline" means Uniline Australia Limited;
- b) "Purchaser" means the purchaser of the goods who is specified as the "applicant" in the Credit Account Application or the purchaser named in the invoice as the case may be;
- c) "goods" means all products of whatever nature and, if any, services provided to the purchaser from time to time;
- d) "PPS Act" means Personal Property Securities Act 2009 and includes the Personal Property Securities Regulations 2010 and any amendments or re-enactments of the PPS Act or the Regulations.
- e) "PPS Register" means Personal Property Securities Register established under the PPS Act.

Terms and Conditions for supply of goods

2. The terms and conditions for the supply of goods by Uniline to the purchaser:
 - a) shall be as set out herein unless amended by Uniline by notice in writing to the purchaser in which case the placing of an order by the purchaser with Uniline following receipt of such notice shall constitute acceptance by the purchaser of the terms and conditions as amended in respect of all future supply of goods by Uniline to the purchaser; and
 - b) shall not be varied by the wording of any purchaser's order form, notice of acceptance or otherwise unless such a variation is expressly agreed in writing for and on behalf of Uniline by its duly authorised representative.
3. To the extent of any inconsistency between these terms and conditions and the terms and conditions of the purchaser's order these terms and conditions shall prevail.

Quotations

4. No quotation by Uniline shall constitute an offer. Acceptance by a purchaser of a quotation by Uniline shall not be binding on Uniline unless and until Uniline issues written confirmation to the purchaser.

Price

5. The prices for products supplied shall be the prices current as at the date of dispatch by Uniline for delivery to the purchaser. Prices shall be subject to change without notice.

Terms

6. Goods purchased shall be paid for prior to delivery unless Uniline in its sole discretion agrees to sell the goods on credit to the purchaser, in which case the thirty (30) day terms of the Credit Application will apply.
7. All payments are due and payable to Uniline PO Box 6188 Yatala DC, Qld 4207 or 2 Computer Road, Yatala, Qld, 4207. Payments received by Uniline from the purchaser will be credited towards payment of the longest outstanding invoice/s.
8. Customers shall not be entitled to withhold payment or part payment of any account by reason of any account query, dispute or set off.
9. Customers having overdue accounts will be precluded from participating in any special deals, discounts, rebates and all other incentive programs until their accounts are no longer overdue.

Delivery

10. Uniline is authorised by the purchaser to deliver goods to the address nominated by the purchaser at any time within a practical time from receipt of the purchaser's order, and to leave such goods at that address notwithstanding the absence of any representative of the purchaser at the delivery site. Under no circumstances shall Uniline be liable on any basis whatsoever for loss suffered by the purchaser following delivery.
11. Uniline's delivery records shall be prima facie proof of delivery of the goods in good order and of the quality and description stated therein and shall be evidence of receipt by the purchaser notwithstanding the absence of any representative of the purchaser at the delivery address. "Written" acknowledgement of receipt of the goods given by a person at the delivery address shall be conclusive evidence of delivery of the goods in good order and of the quality and description stated in Uniline's delivery records.
12. Delivery times made known by Uniline or its representative to the purchaser, if any, are estimates only and the purchaser acknowledges that Uniline has no obligation to deliver goods at such times or at all and Uniline shall not be liable for any loss, damage or delay sustained by the purchaser or any other person arising from the timing of delivery or its failure to deliver.

PPS ACT 2009

13. The Customer agrees that Uniline will have a Purchase Money Security Interest (PMSI) (as defined in the PPS Act) in any product or equipment supplied to the customer.
14. The parties agree to 'contract out' under section 115 of the PPS Act in respect of goods that are not used predominantly for personal, domestic or household purposes:

- a) Sections 95 (notice of removal of accession), 96 (retention of accession), 118 (enforcing security interest in accordance with land law decisions), 121(4) (enforcement of liquid assets), 125 (obligations to dispose of or retain collateral), 130 (notice of disposal to the extent it requires notice to customer), 132(3)(d) (contents of statement after disposal), 132 (4) (statement of account if no disposal), 135 (notice of retention)
- b) The customer waives its rights to receive a verification statement in relation to registration events in respect of commercial property under section 157
- c) Notwithstanding section 275, the parties further agree to keep confidential the contents of these Terms and related material.

Title

15. Title to and property in the goods supplied and delivered by Uniline to the Purchaser shall not pass until all goods delivered by Uniline to the purchaser and all debts owing by the Purchaser to Uniline no matter on what grounds have been paid for in full or the goods are delivered by the purchaser to a sub-purchaser thereof pursuant to a bona fide transaction in the normal course of business of the purchaser. Any payment made by or on behalf of a purchaser which is later avoided pursuant to any statutory provision shall be deemed not to discharge the purchaser's indebtedness and, in such event, the purchaser and Uniline are to be restored to rights which each respectively would have had if such payment had not been made.
16. Until title to and property in the goods shall pass in accordance with these terms and conditions the purchaser shall hold such goods as bailee for Uniline and shall store such goods in a proper and safe manner and in such a way as to be readily identifiable as the property of the seller.
17. The purchaser hereby irrevocably authorises the representatives of Uniline to enter upon the purchaser's premises where the goods are stored, or are thought by Uniline to be stored, for the purpose of repossessing them and subsequently reselling them.
18. It is agreed between the purchaser and Uniline that where Uniline enters the premises of the purchaser to take possession of the goods and it is not possible to otherwise identify which goods in the possession of the purchaser remain owned by Uniline, the determination of ownership will be determined on the presumption that the purchaser has sold goods purchased from Uniline in the same sequence as the purchaser has taken delivery of goods from Uniline which presumption is irrebuttable.
19. To the extent that title in the goods has not passed, the purchaser shall be entitled to agree to sell the goods in the ordinary course of its business as principal vis-à-vis the sub-purchaser and not as agent for Uniline. Uniline, however, shall be legally and beneficially entitled to the proceeds of sale and the purchaser shall pay such proceeds of sale into a separate account or otherwise shall ensure that all such proceeds of sale are kept by or on behalf of the purchaser in a separate and identifiable form. In particular but without prejudice to the generality of the foregoing the purchaser shall not pay the proceeds of sale into any bank account which is overdrawn. Further, forthwith upon receipt of the proceeds of sale the purchaser shall pay to Uniline any of the aforesaid sums outstanding to Uniline and shall not use or deal with the proceeds of sale in any way whatsoever until such sums have been paid.
20. The purchaser's right to on-sell the goods may be revoked at any time by Uniline and shall be automatically revoked in the event of the purchaser:
 - a) failing to pay for any goods within the time prescribed;
 - b) being declared bankrupt;
 - c) having a receiver, receiver and manager, liquidator, provisional liquidator or official manager appointed over all or any of its assets;
 - d) proposing or having approved any scheme or arrangement with creditors;
 - e) having a petition presented for the Applicant's winding up; or
 - f) having made a representation to Uniline or given to Uniline information which is untrue.

Risk

21. Risk in the goods shall pass to the purchaser:
 - a) on delivery to the purchaser, its agent or other person to whom Uniline has been authorised by the purchaser to deliver the goods and, for the avoidance of doubt, risk shall pass on delivery where delivery is in accordance with these terms and conditions; or
 - b) immediately prior to loading where the goods are being collected by the buyer, its servant or agent from Uniline's premises.

Claims

22. Any claims in respect of goods supplied shall be made in writing within thirty (30) days from the invoice date. Until any claim is accepted by Uniline the amount of any invoice shall remain payable within the time prescribed herein.

23. The purchaser acknowledges and agrees that the goods:

- a) produced/manufactured on the purchaser's request;
- b) damaged or lost in transit;
- c) ordered by Uniline specifically at the request of the purchaser;
- d) altered or damaged by the purchaser are not acceptable for return or credit and Uniline is under no obligation to accept such goods for return or to give credit to the purchaser in respect of such goods.

Limitation of Liability

24. These terms and conditions do not exclude, restrict or modify the application of any provisions of any Commonwealth, State or Territorial law which by law cannot be excluded, restricted or modified.
25. Except where the purchaser shall be taken to have acquired the goods as a consumer within the meaning of the Trade Practices Act 1974 or equivalent Commonwealth, State or Territorial legislation,
 - a) Uniline shall not be liable or responsible for any loss, damage, injury to property or persons resulting from, arising out of or in connection with the acquisition, delivery, re-supply, installation or use of the goods caused by the negligence of Uniline, its servants or agents or any other cause whatsoever;
 - b) All terms, conditions and warranties that the products shall correspond with any sample, shall be of merchantable quality or shall be reasonably fit for any purpose express or implied directly or indirectly, by common law or Commonwealth, State or Territorial laws are hereby excluded.
26. Where the purchaser shall be taken to have acquired the products as a consumer within the meaning of the Trade Practices Act 1974 or equivalent Commonwealth, State or Territorial legislation, the liability of Uniline for a breach of any term, condition or warranty referred to in the previous clause shall be limited in the absolute discretion of Uniline to one of the following:
 - a) the replacement of the goods or the supply of equivalent goods;
 - b) the repair of the goods;
 - c) the payment of the cost of replacing the goods or acquiring equivalent goods;
 - d) the payment of the cost of having the goods repaired.
27. All other conditions and warranties which might otherwise be implied by law and which may be excluded are expressly excluded.

Security

28. For the purpose of securing payment to Uniline the purchaser hereby charges all of its real and personal property (including all property subsequently acquired) whatsoever and wheresoever situated and all of its estate and interest therein in favour of Uniline with the payment of all sums of money whether present, future or contingent to which the purchaser may become liable to pay to Uniline and authorises and consents to Uniline taking all actions necessary to give effect to the security including the lodgement of a security interest on the PPS Register and a caveat upon the title of the purchaser's real property and the purchaser hereby irrevocably appoints Uniline and any person nominated by Uniline severally the attorney of the purchaser with power to execute, sign, seal and deliver (which delivery may be subject to such terms and conditions as the attorney thinks fit) and document to give effect to this security.

Severance, waiver, applicable law and jurisdiction

29. In the event that any term or provision or part of a provision cannot be given effect for any reason then the term or provision or part which cannot be given effect shall be severed and read down restrictively and the remaining terms and provisions shall remain valid and binding on Uniline and the purchaser.
30. Failure by Uniline to insist upon compliance with any of these terms does not constitute a waiver of that term and Uniline shall be entitled to insist upon compliance with all provisions of these terms at any time and no waiver of a term or provision of any contract shall be construed as a continuing waiver of the term or provision.
31. The provisions of these terms and any contract between Uniline and the purchaser shall be governed by the laws of the state of Queensland.
32. The purchaser submits to the exclusive jurisdiction of the courts of Queensland.

UNILINE GENERAL WARRANTY DOCUMENT

Uniline Australia "Uniline" warrants that its window covering materials (fabrics) and components listed below will be free from defects in materials and workmanship for the stated periods from the date of purchase, subject to the provisions of this warranty, provided they were purchased after 1st January 2014 and were:

1. Supplied by Uniline Australia.
2. Manufactured by an accredited Uniline Manufacturer.
3. Sold by an accredited Uniline Reseller.
4. Professionally installed by an accredited Uniline Installer and according to Uniline installation standard procedures.
5. The entire system supplied to the consumer is a Uniline system and not parts thereof.

This warranty is limited to the repair or replacement of the defective materials and components. Repairs will be made with like or similar parts. Uniline reserves the right to discharge its obligations under this warranty by refunding the original purchase price of the defective materials or components. Uniline reserve the right to separate the warranty, into the following four (4) categories:

1. * Hardware Component Systems – (5 Years) - A Uniline window furnishing will be made up of a number of hardware components, known as a system. Uniline reserves the right to refuse any warranty if parts of the system are not made up of genuine Uniline components.
2. Uniline Window Covering Materials (Fabrics) – (5 to 10 Years) - Uniline will warrant any window covering material which is manufactured or supplied by Uniline Australia limited for the stated warranty period.

3. Uniline accredited Motorisation – (5 Years) - Uniline will warrant any gearing mechanism or motorisation mechanism which has been supplied, tested and accredited by Uniline. These include:
 - a. Geiger gearboxes
 - b. NICE Motors

If a consumer chooses to select only part of the Uniline system, eg; a Uniline Cassia Rollbox System, but chooses another supplier's fabric, Uniline will warrant the Uniline part of the system under the standard warranty conditions of that particular part.

This Warranty Excludes:

Any condition or damage relating to, or resulting from, accidents, alterations, discoloration or fading over time, misuse, abuse, normal wear and tear, removal and/or reinstallation, failure to follow the installation or use instructions of Uniline, or force majeure including, without limitation, storm, fire, floods, cyclone's, standing water, explosions, earthquakes, vandalism, riots, acts of war, pollutants, acts of God or other occurrences beyond the control of Uniline. Installations subject to salt spray or marine influences, severe industrial or corrosive environments or internal situations subject to moisture laden air.

Shipping charges and costs for removing, disassembling, reassembling and reinstalling the materials or components.

Special Conditions

* 100% Uniline supplied components includes tubes, gearboxes, drive adapters, motor adapters, idle ends, pivot plate and pins, splines and any other specific components that are sold by Uniline.

All methods, allowances and specifications must follow the

information provided in the manufacturing and installations guides as provided by Uniline.

All sizes and installations must fall within the guidelines provided by the product specification document.

Failure to adhere to any of the above clauses will result in the voiding of all warranties.

Interpretation

This warranty shall be interpreted and applied subject to the operation of any statute applicable in Australia, the terms of which cannot be excluded by the parties, including (if applicable) relevant provisions of the Trade Practices Amendment (Australian Consumer Law) Act (No. 1) 2010 and similar State legislation. With the exception of the matters outlined in this document, all other implied terms, warranties, conditions and consequences are excluded.

Warranty Claims

Warranty claims must be made as soon as possible after discovery of the defect and, in any event, within the warranty period. Warranty claims must be accompanied by proof of payment of the full purchase price by the original purchaser.

Warranty Process

Contact the place of purchase or take the product back to the place of purchase. The place of purchase must be an accredited Uniline supplier.

Proof of purchase (a copy of the tax receipt detailing the date of the purchase, the product purchased & the place of purchase) from an accredited Uniline reseller is required for all warranty claims.

All accredited Uniline resellers can be viewed on the Uniline website.

IT'S YOUR CHOICE.

The preferred window covering system supplier to the industry.

Australia Free Call: 1800 777 331 | sales@uniline.com.au | uniline.com.au

New Zealand Free Call: 0800 700 801 | salesnz@uniline.com.au | uniline.co.nz

