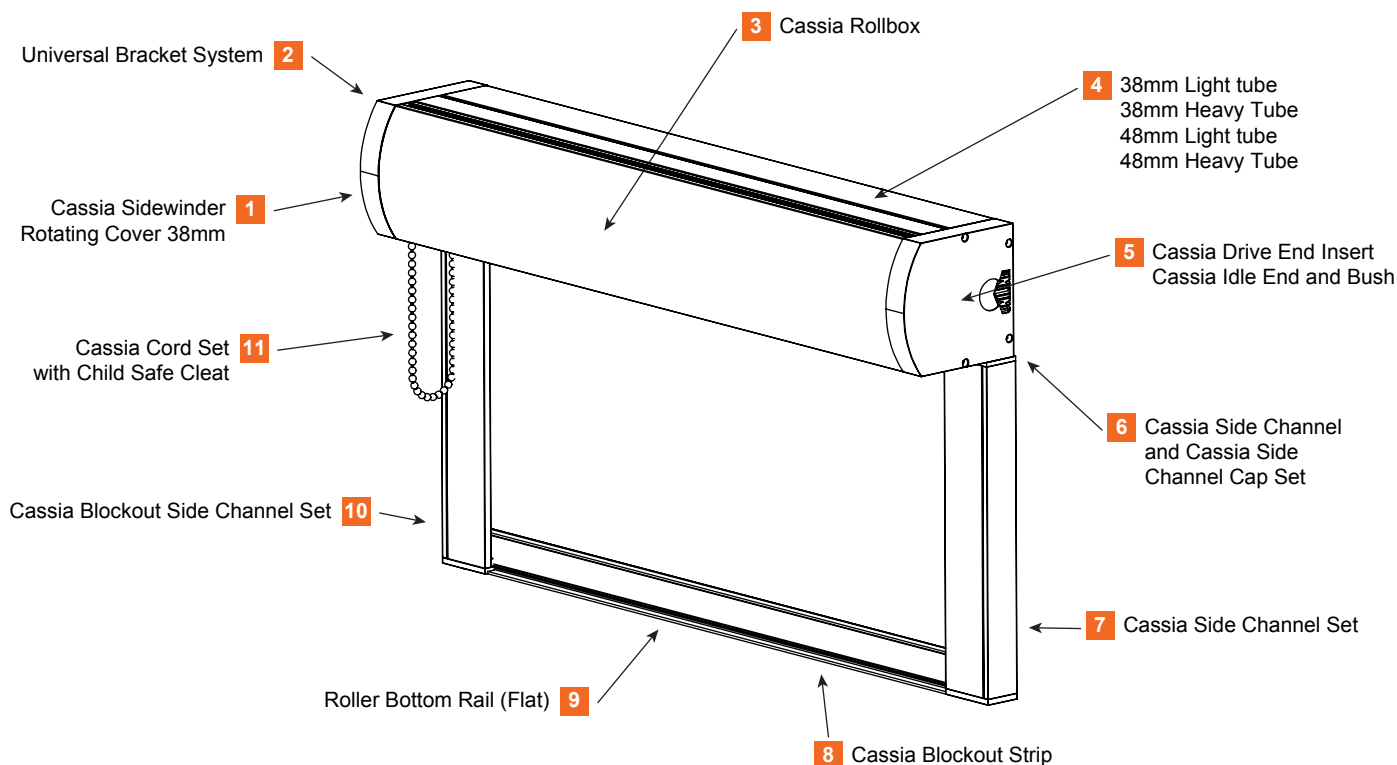


BILL OF MATERIALS FOR CASSIA ROLLBOX SYSTEM BLIND.



BOM NUMBER	PART NAMES	BOM NUMBER	PART NAMES
1	Cassia Sidewinder Rotating Cover 38mm	6	Cassia Side Channel and Cassia Side Channel Cap Set
2	Universal Bracket System	7	Cassia Side Channel Set
3	Cassia Rollbox	8	Cassia Blockout Strip
4	38mm Light tube 38mm Heavy Tube 48mm Light tube 48mm Heavy Tube	9	Roller Bottom Rail (Flat)
5	Cassia Drive End Insert Cassia Idle End and Bush	10	Cassia Blockout Side Channel Set
		11	Cassia Cord Set with Child Safe Cleat

IT'S YOUR CHOICE.

The preferred window covering system supplier to the industry.

Australia +61 7 3804 9000 | info@uniline.com.au | uniline.com.au

New Zealand +64 9 273 5026 | salesnz@uniline.com.au | uniline.co.nz

