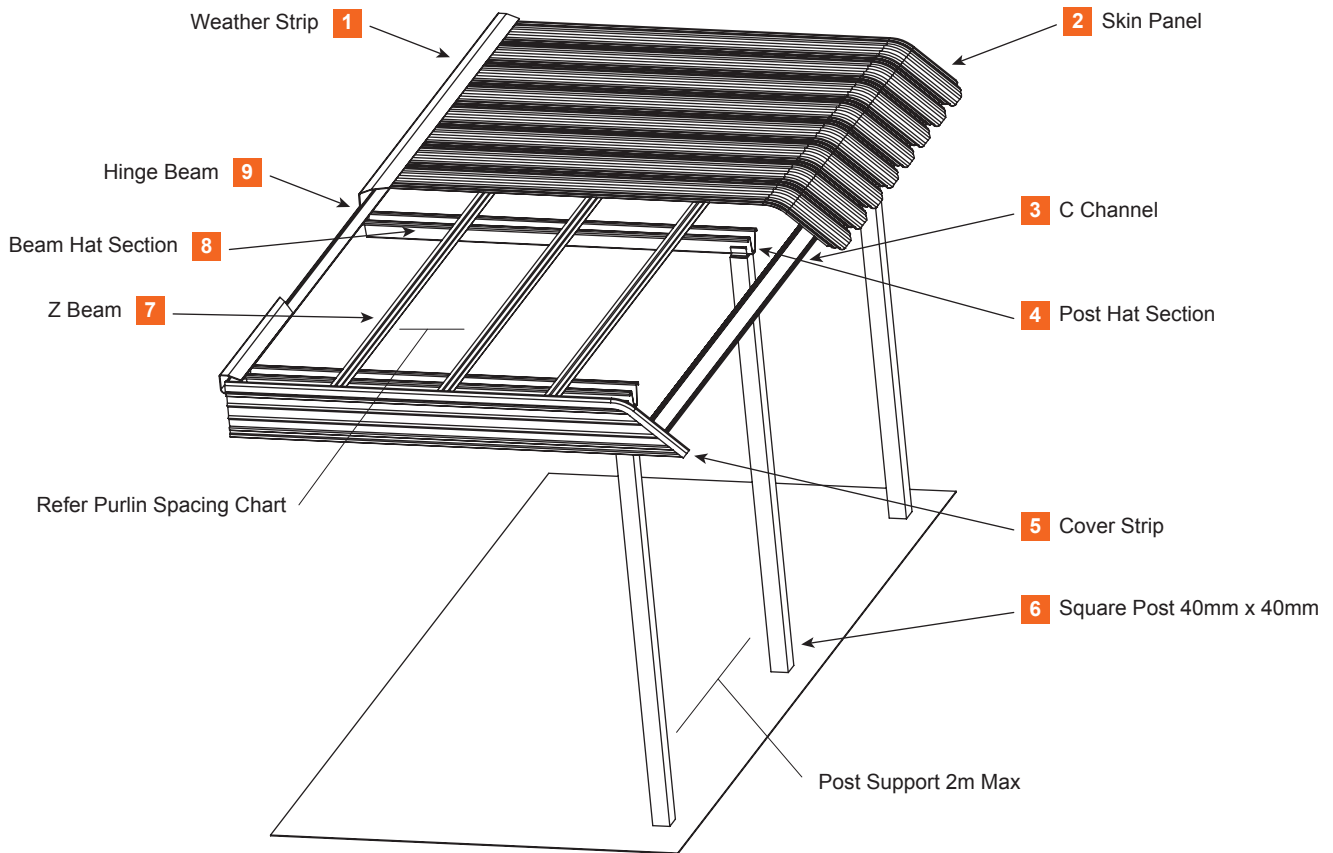


BILL OF MATERIALS FOR TRU-STEEL FIXED CANOPY AWNING.



BOM NUMBER	PART NAMES	BOM NUMBER	PART NAMES
1	Weather Strip	5	Cover Strip
2	Skin Panel	6	Square Post 40mm x 40mm
3	C Channel	7	Z Beam
4	Post Hat Section	8	Beam Hat Section
		9	Hinge Beam

IT'S YOUR CHOICE.

The preferred window covering system supplier to the industry.

Australia +61 7 3804 9000 | info@uniline.com.au | uniline.com.au

New Zealand +64 9 273 5026 | salesnz@uniline.com.au | uniline.co.nz

