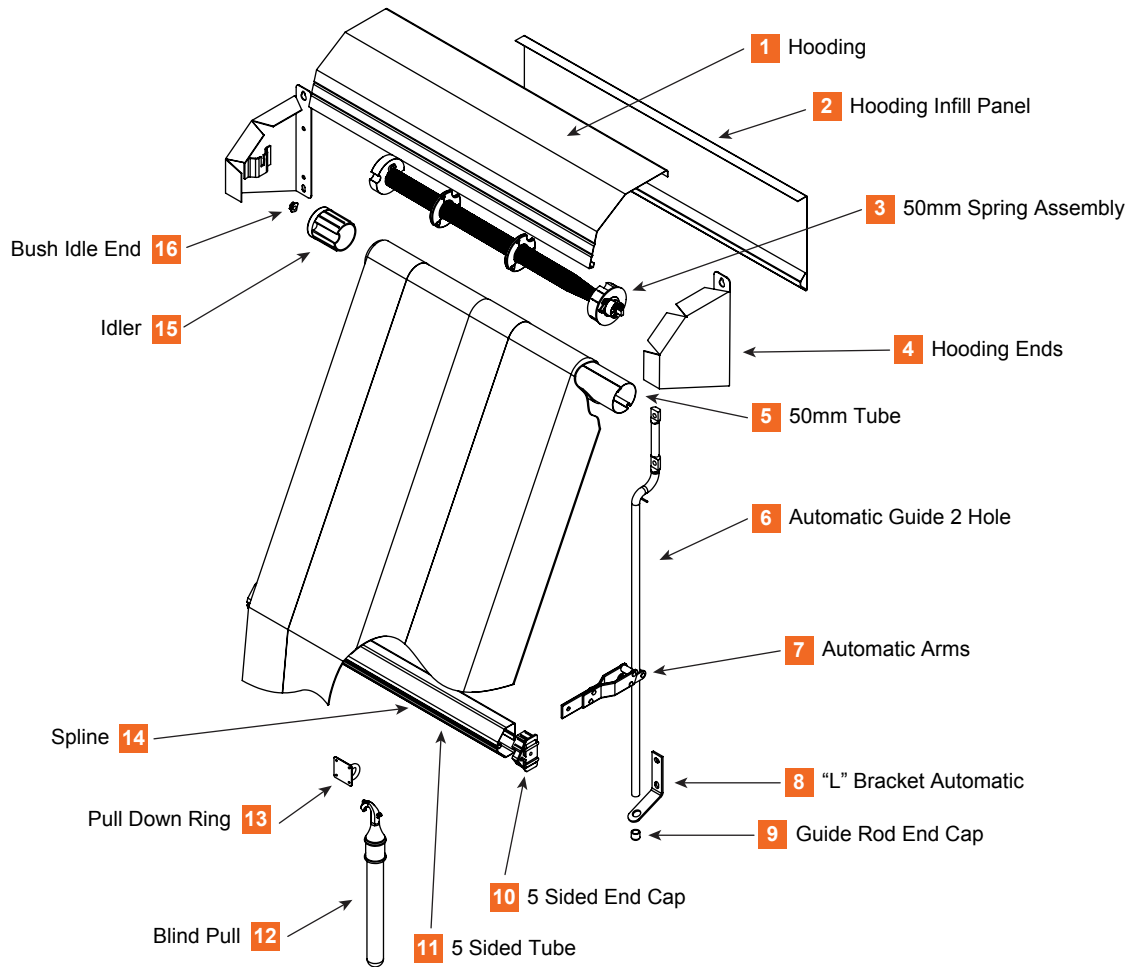


BILL OF MATERIALS FOR TRU-STYLE AUTOMATIC AWNING.



BOM NUMBER	PART NAMES	BOM NUMBER	PART NAMES
1	Hooding	9	Guide Rod End Cap
2	Hooding Infill Panel	10	5 Sided End Cap
3	50mm Spring Assembly	11	5 Sided Tube
4	Hooding Ends	12	Blind Pull
5	50mm Tube	13	Pull Down Ring
6	Automatic Guide 2 Hole	14	Spline
7	Automatic Arms	15	Idler
8	"L" Bracket Automatic	16	Bush Idle End

IT'S YOUR CHOICE.

The preferred window covering system supplier to the industry.

Australia +61 7 3804 9000 | info@uniline.com.au | uniline.com.au

New Zealand +64 9 273 5026 | salesnz@uniline.com.au | uniline.co.nz

